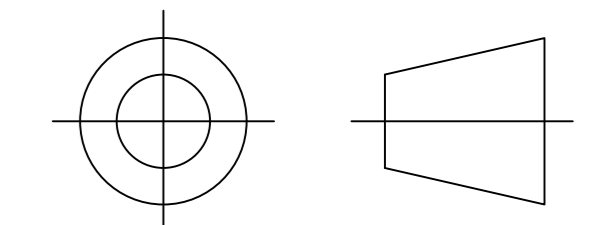


REEF LIGHTING
WHERE LIGHT TOUCHES THE SEA

PROJECT:

PO 5230

±5MM
Size tolerance
± 1/2°
Angle tolerance



Date: 26-07-2023

Revision:

Type: Pendant lamp

Item No: 9389-M

Dwg by:

Verification by:

Scale: 1: 8

Area/Location:

Dimension:

31.5"L x 31.5"W x 7.3"H / 120"OAH

Finish: Coffee brown + Brown

Materials: Glass + Stainless steel + Alu + Acrylic

Weight: 13kgs

Light: G9 sockets *8pcs + Osram LED 3W 3000K
*3pcs / G9 bulbs excluded

Qty: 3 pcs

Approved

Approved as noted

Revise & resubmit

Date: _____

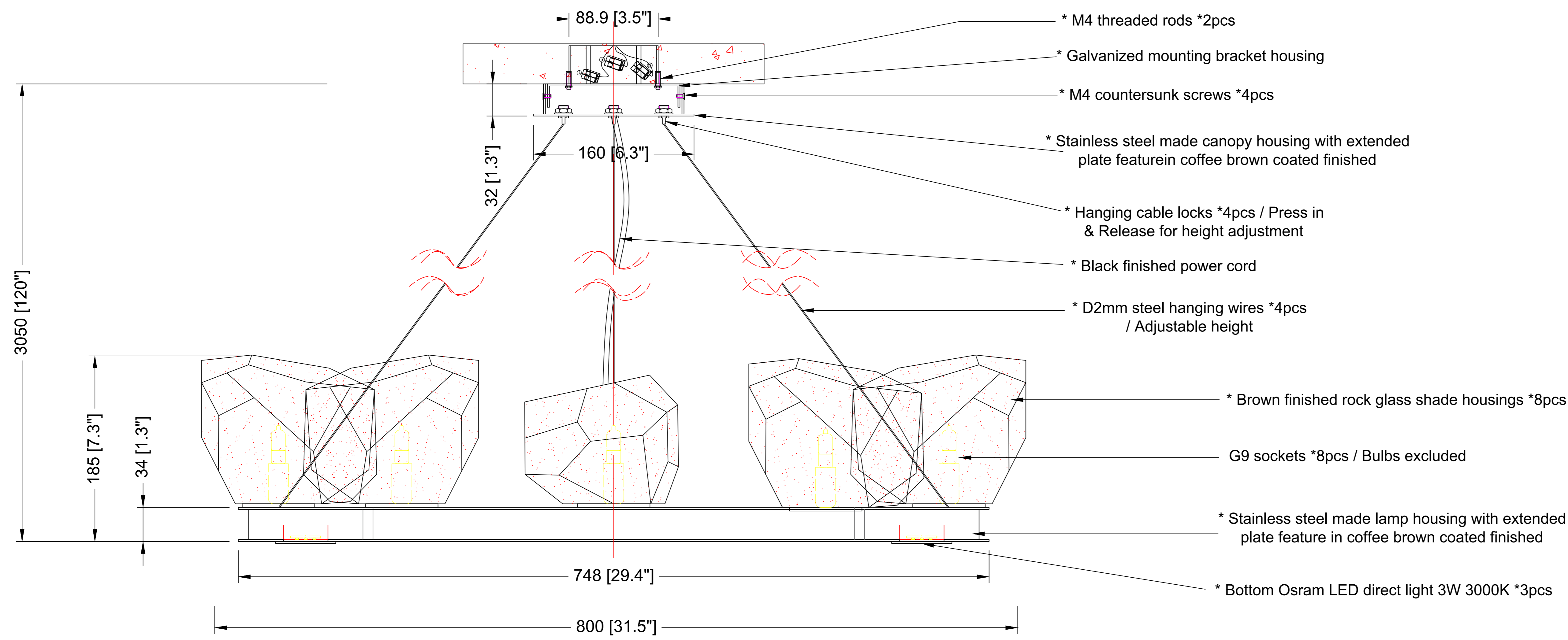
Signature: _____

Notes:

- *1: Different design & size canopy from original.
- *2: Different LED light & structure from original.
- *3: Different mounting structure from original.
- *4: Different hanging height from original.
- *5: Different but similar glass shades.

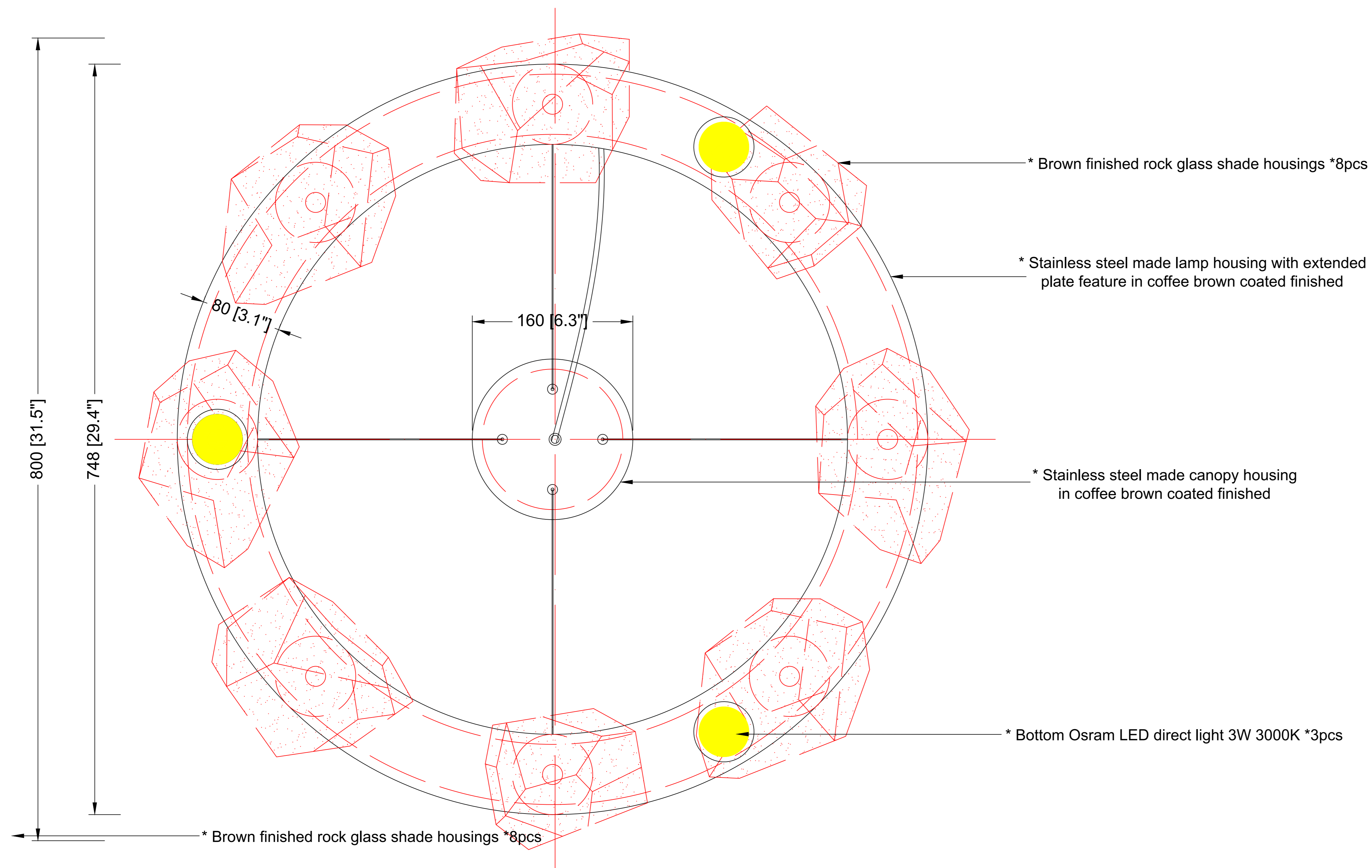


Reef Lighting, Inc. reserves the right to change or modify the product specifications without notification.



ELEVATION VIEW

SCALE: 1:8



BOTTOM VIEW

SCALE: 1:8



Ref Pic

SCALE: NTS