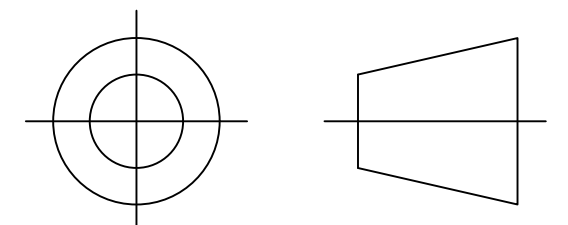


REEF LIGHTING  
WHERE LIGHT TOUCHES THE SEA

PROJECT:

PO 5230

±5MM  
Size tolerance  
± 1/2°  
Angle tolerance



Date: 26-07-2023

Revision:

Type: Pendant lamp

Item No: 9222-1-BK

Dwg by:

Verification by:

Scale: 1: 13

Area/Location:

Dimension:

41.3"L x 7.9"W x 45"H

Finish: Black + White

Materials: Stainless steel + Alu + Glass

Weight: 4 kgs

Light: Osram LED 7W 3000K \*2pcs / Triac dimming

Qty: 1 pcs

Approved

Approved as noted

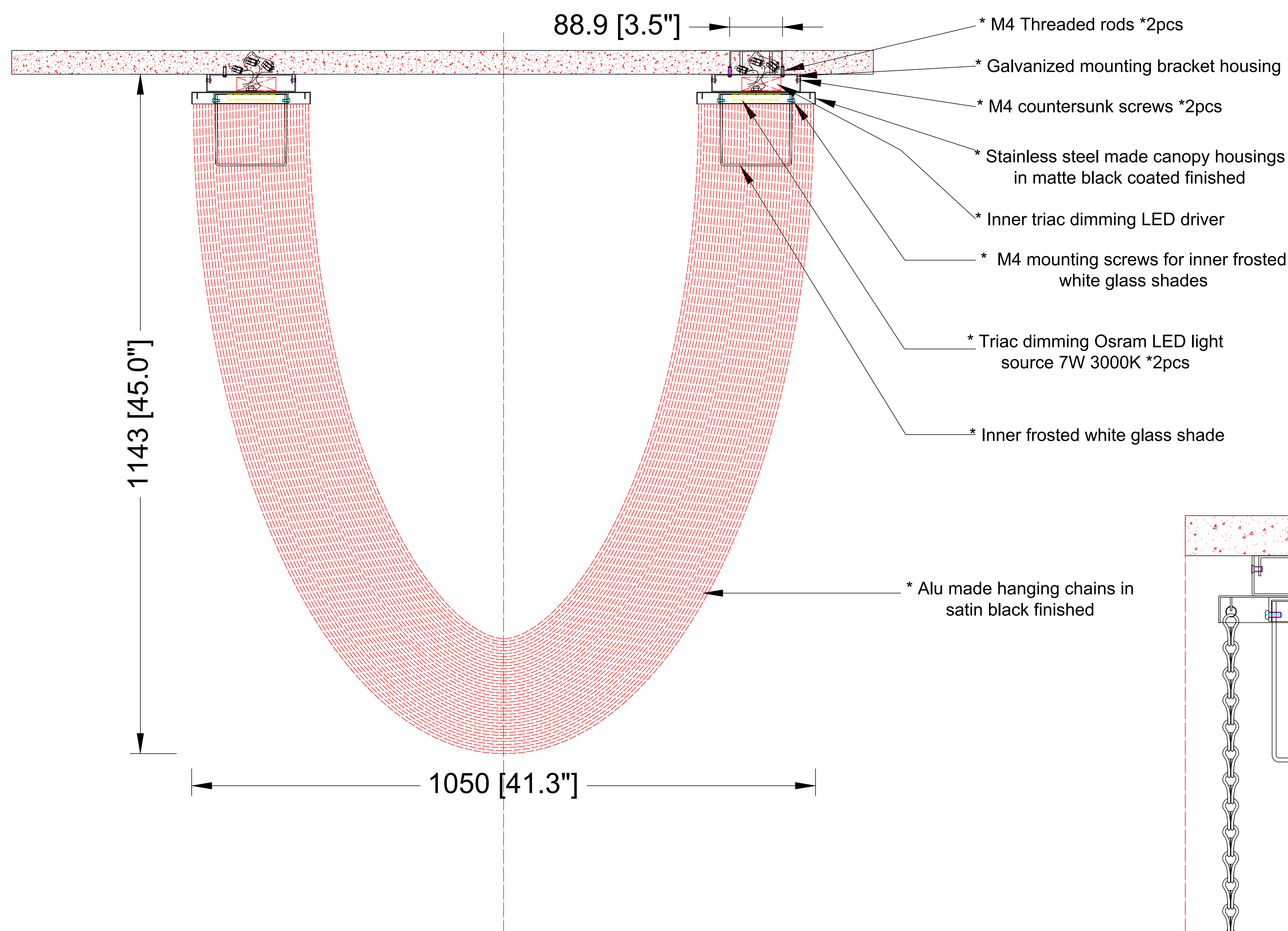
Revise & resubmit

Date: \_\_\_\_\_

Signature: \_\_\_\_\_

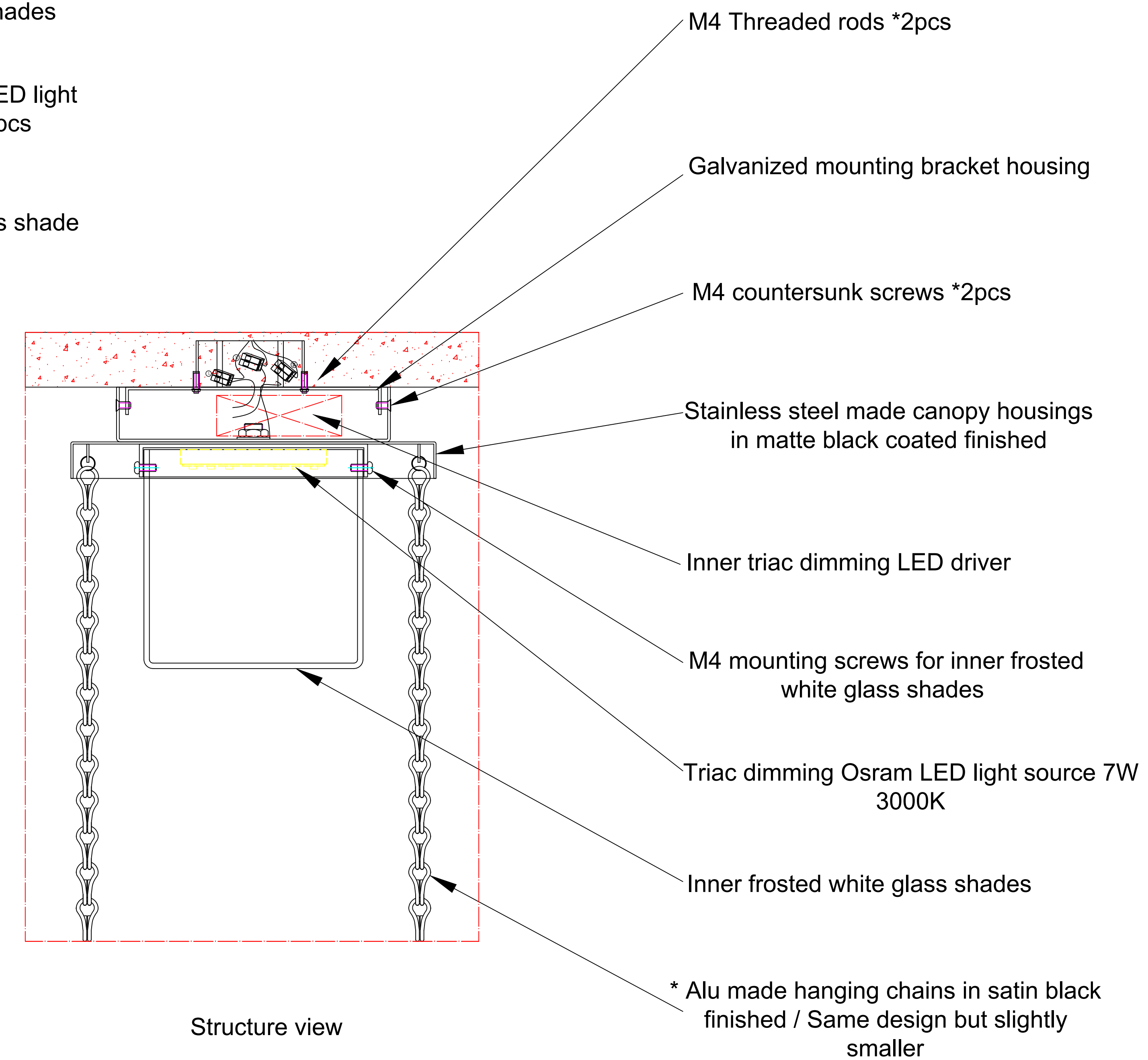
Notes:

- \*1: Different mounting design from original.
- \*2: Different LED light & structure from original.
- \*3: Different but similar alu chains from original.
- \*4: Original design has no Triac dimming function.

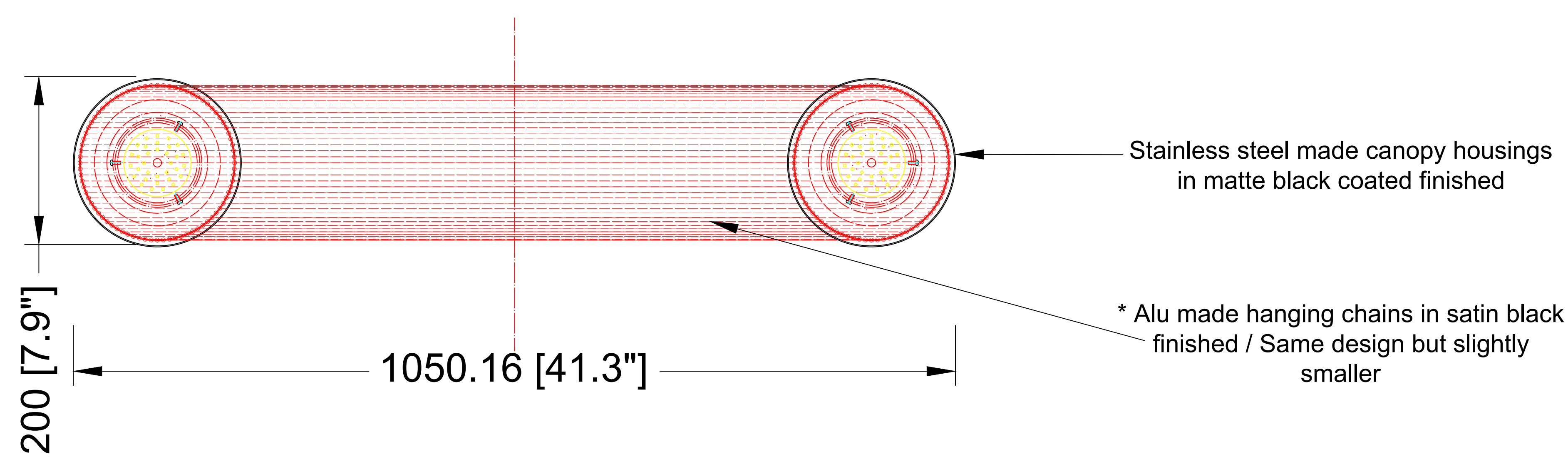


ELEVATION VIEW

SCALE: 1:13

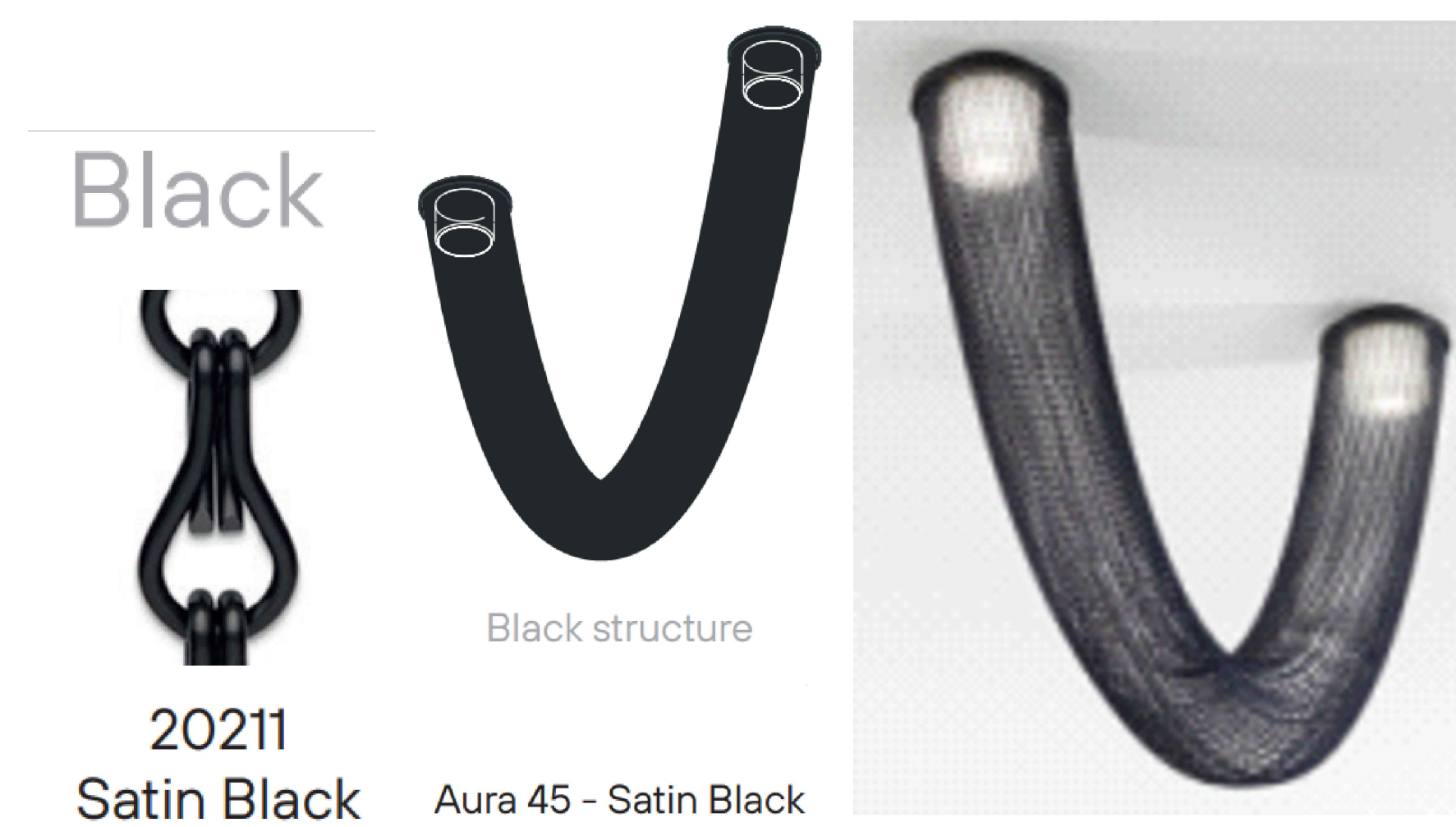


Structure view



BOTTOM VIEW

SCALE: 1:13



Ref Pic

SCALE: NTS



Reef Lighting, Inc. reserves the right to change or modify the product specifications without notification.