



REEF LIGHTING  
WHERE LIGHT TOUCHES THE SEA

PROJECT:

# Reef Lighting

±5MM  
Size tolerance  
± 1/2°  
Angle tolerance



Date: 30-06-2023

Revision:

Type: Wall lamp

Item No: 9775

Dwg by:

Verification by:

Scale: 1:3

Area/Location:

Dimension:  
3.9"L x 3.9"H x 5.8" Depth

Finish: Black + White finished

Materials: Stone + Glass + Alu + Iron

Weight: 2 kgs

Light: G9 socket \*1pcs / Bulb excluded

Qty: 10 pcs

Approved

Approved as noted

Revise & resubmit

Date: \_\_\_\_\_

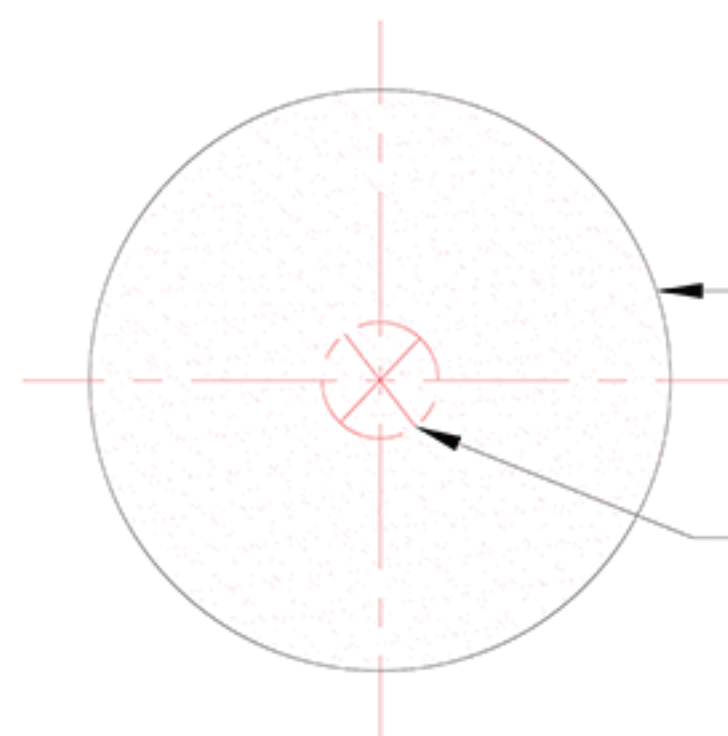
Signature: \_\_\_\_\_

Notes:



REEF LIGHTING RESERVES THE RIGHT TO CHANGE OR MODIFY THE PRODUCT SPECIFICATION WITHOUT NOTIFICATION.

100 [3.9"]

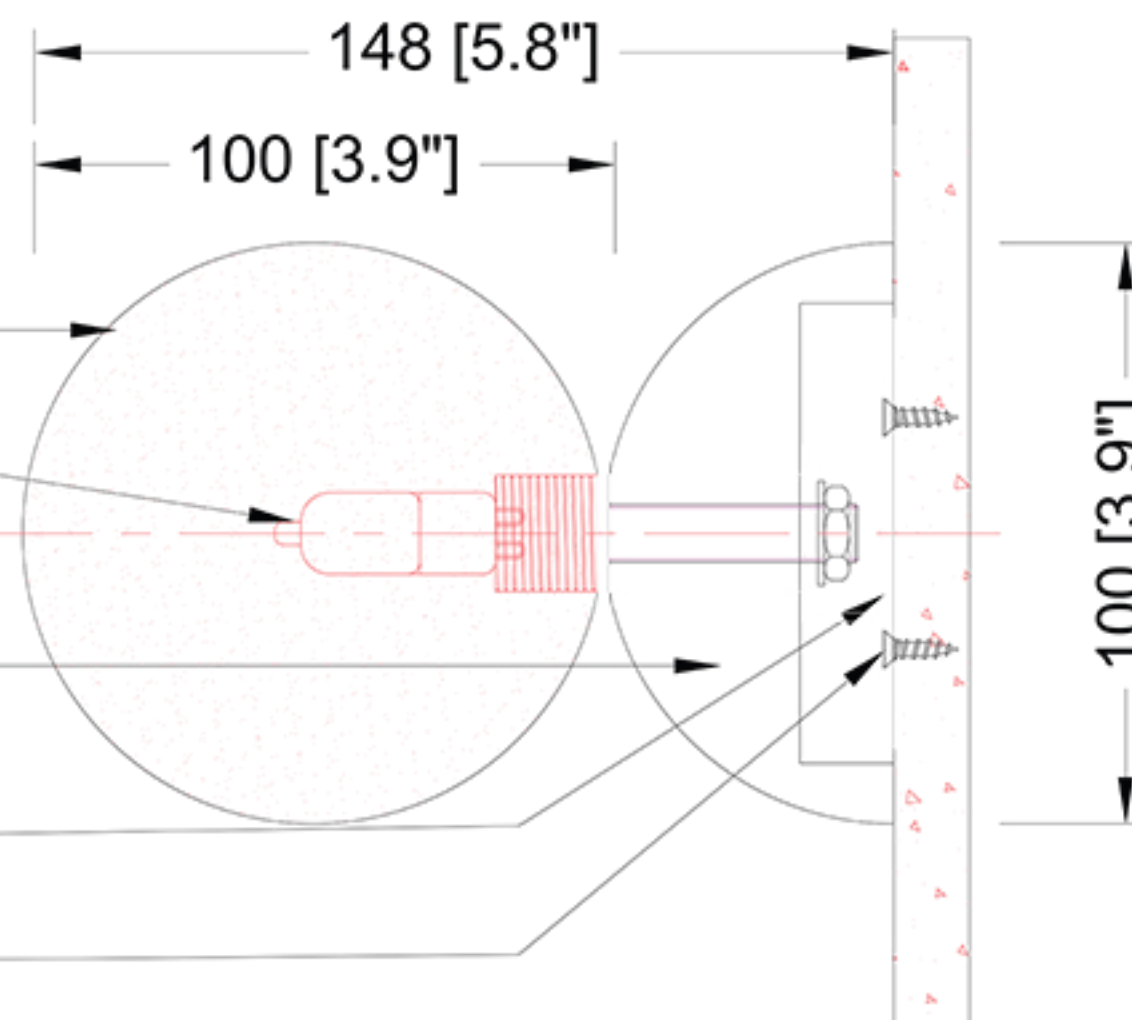


Frosted white round glass shade with threaded open hole for light bulb

G9 socket \*1pcs / Bulb excluded

ELEVATION VIEW

SCALE: 1:3



Frosted white round glass shade with threaded open hole for light bulb

G9 socket \*1pcs / Bulb excluded

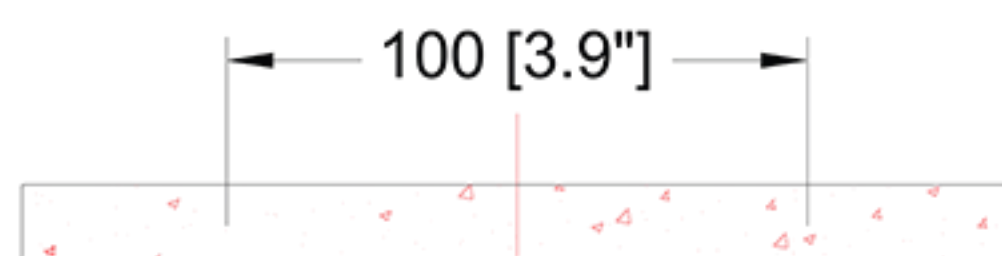
Black finished stone base with pitted surface feature & inner mounting structure

Galvanized mounting bracket housing

M4 tapping screws \*2pcs

SIDE VIEW

SCALE: 1:5



Black finished stone base with pitted surface feature

CNC cut Alu ring housing for stone base mounting in black coated finished

Inner threaded Alu housing for glass shade mounting in black coated finished

G9 socket \*1pcs / Bulb excluded

Frosted white round glass shade with threaded open hole for light bulb

150 [5.9"]

100 [3.9"]

BOTTOM VIEW

SCALE: 1:3



Ref Pic

SCALE: NTS