



PROJECT:
PO 5230

±5MM Size tolerance	
± 1/2° Angle tolerance	

Date: 26-07-2023

Revision:

Type: Pendant lamp

Item No: 9511-B

Dwg by:

Verification by:

Scale: 1: 8

Area/Location:

Dimension:

7.1"L x 7.1"W x 38.2"H / 120"OAH

Finish: Clear glass+ Matte black + White

Materials: Glass + Alu + Stainless steel + Iron + Acrylic

Weight: 8 kgs

Light: Osram LED 12W 3000K / None dimming

Qty: 5 pcs

- Approved
- Approved as noted
- Revise & resubmit

Date: _____

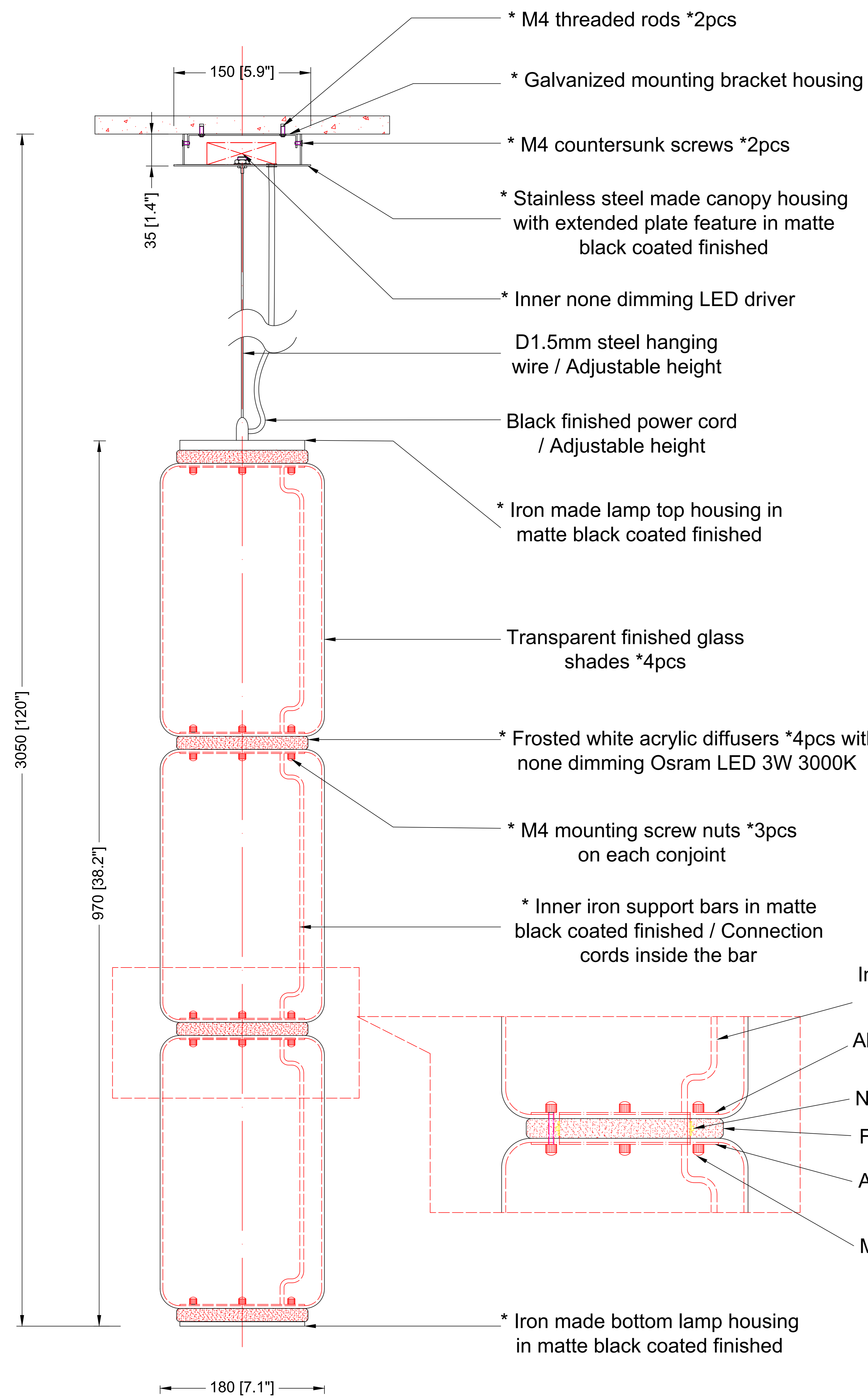
Signature: _____

Notes:

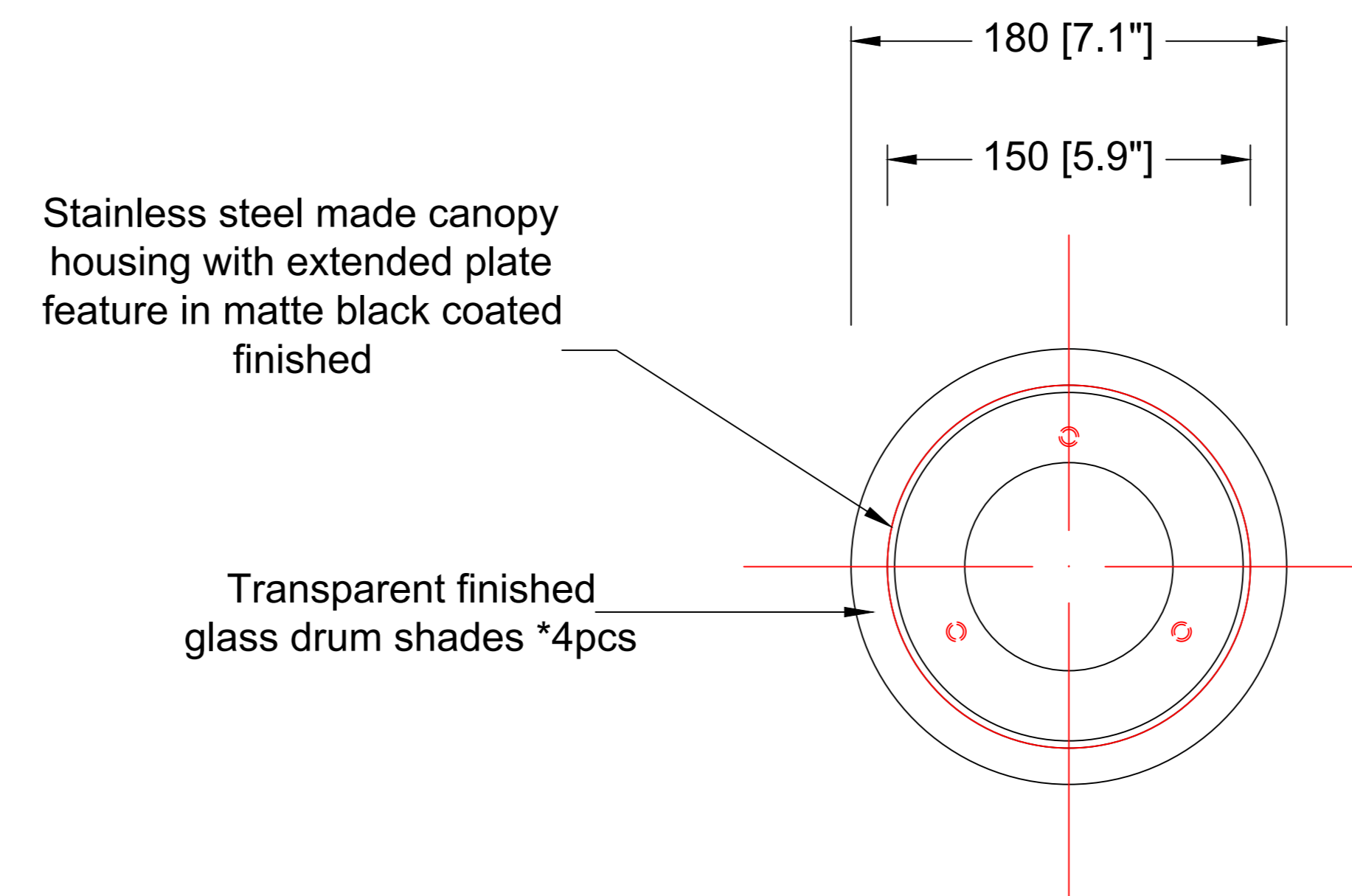
- *1: Different design & size canopy from original.
- *2: Different LED light & structure from original.
- *3: Different conjoint structure from original.
- *4: None dimming for this series of fixtures.



Reef Lighting, Inc. reserves the right to change or modify the product specifications without notification.



ELEVATION VIEW
SCALE: 1:8



BOTTOM VIEW
SCALE: 1:8



Ref Pic
SCALE: NTS