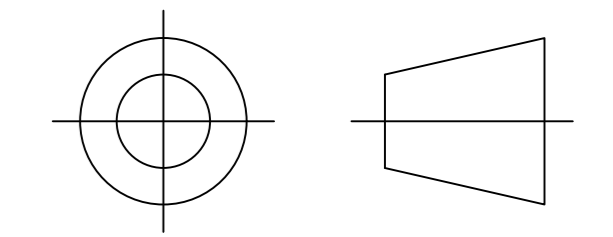


REEF LIGHTING
WHERE LIGHT TOUCHES THE SEA

PROJECT:

PO 5230

±5MM
Size tolerance
± 1/2°
Angle tolerance



Date: 26-07-2023

Revision:

Type: Pendant lamp

Item No: 9631-BS

Dwg by:

Verification by:

Scale: 1: 10

Area/Location:

Dimension:
57.9"L x 29.9"W x 120"OAH

Finish: Brass + Clear glass

Materials: Iron + Glass

Weight: 15 kgs

Light: G9 sockets *18pcs / Bulbs excluded

Qty: 2 pcs

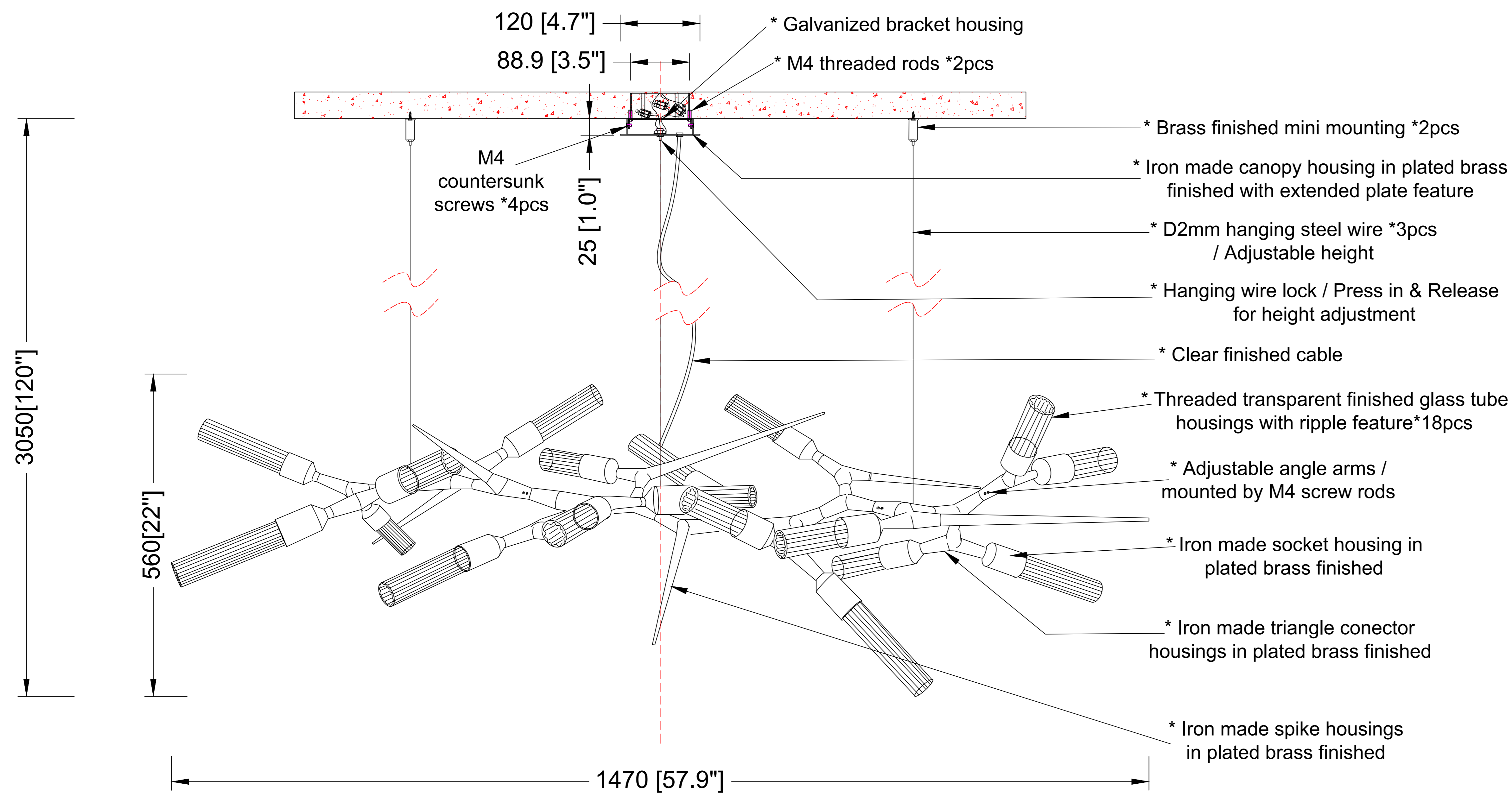
- Approved
- Approved as noted
- Revise & resubmit

Date: _____

Signature: _____

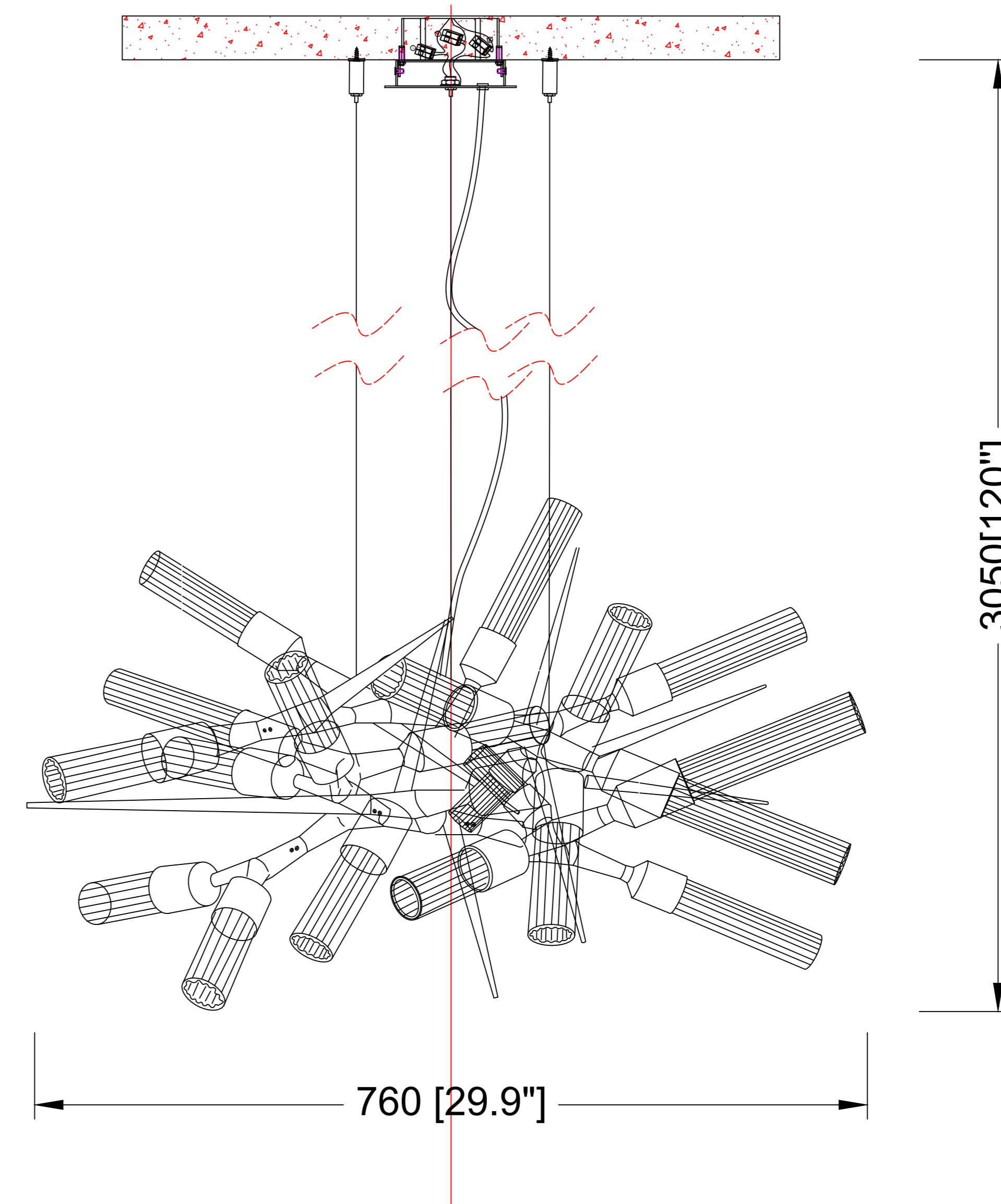
Notes:

- *1: Different design & size canopy from original.
- *2: Different mounting structure from original.
- *3: Different but similar fixture size from original.



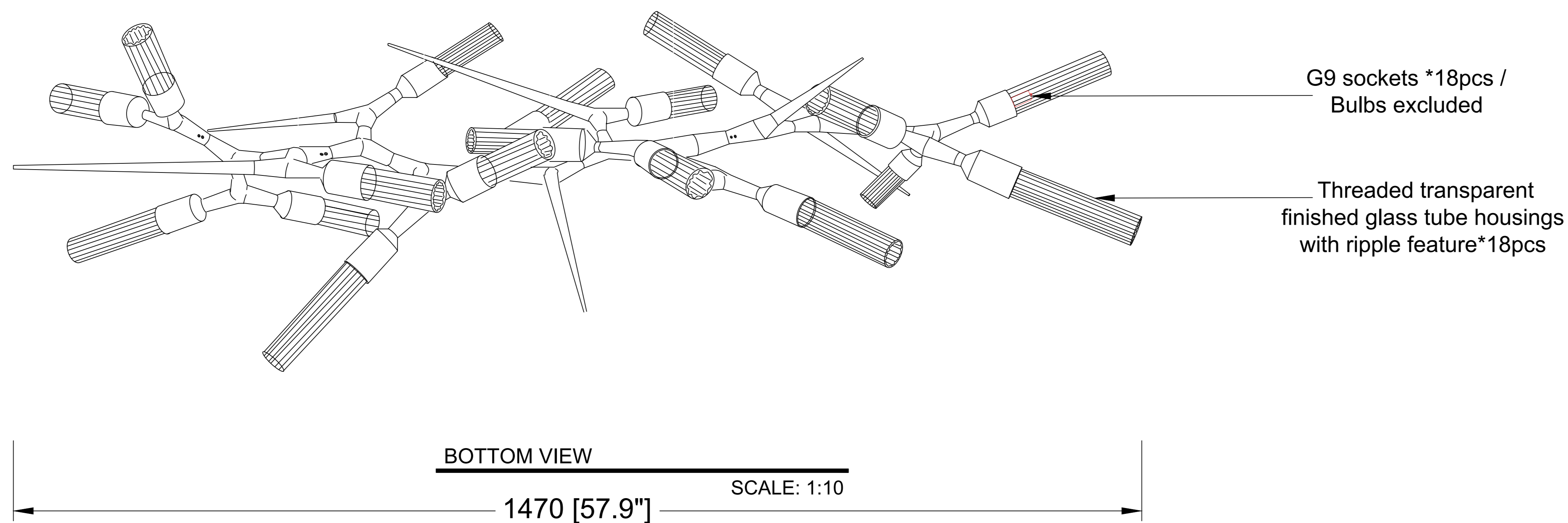
ELEVATION VIEW

SCALE: 1:10



SIDE VIEW

SCALE: 1:10



BOTTOM VIEW

SCALE: 1:10



Ref Pic

SCALE: NTS



Reef Lighting, Inc. reserves the right to change or modify the product specifications without notification.