



REEF LIGHTING  
WHERE LIGHT TOUCHES THE SEA

PROJECT:

# Reef Lighting

±5MM  
Size tolerance  
± 1/2°  
Angle tolerance



Date: 30-06-2023

Revision:

Type: Floor lamp

Item No: 9764-WH

Dwg by:

Verification by:

Scale: 1: 10

Area/Location:

Dimension:

14.2"L x W11" x 55.1" H

Finish: White + Chrome + Black finished

Materials: Stainless steel + Iron

Weight: 7 kgs

Light: E26 socket \*1pcs / Bulb excluded

Qty: 6 pcs

Approved

Approved as noted

Revise & resubmit

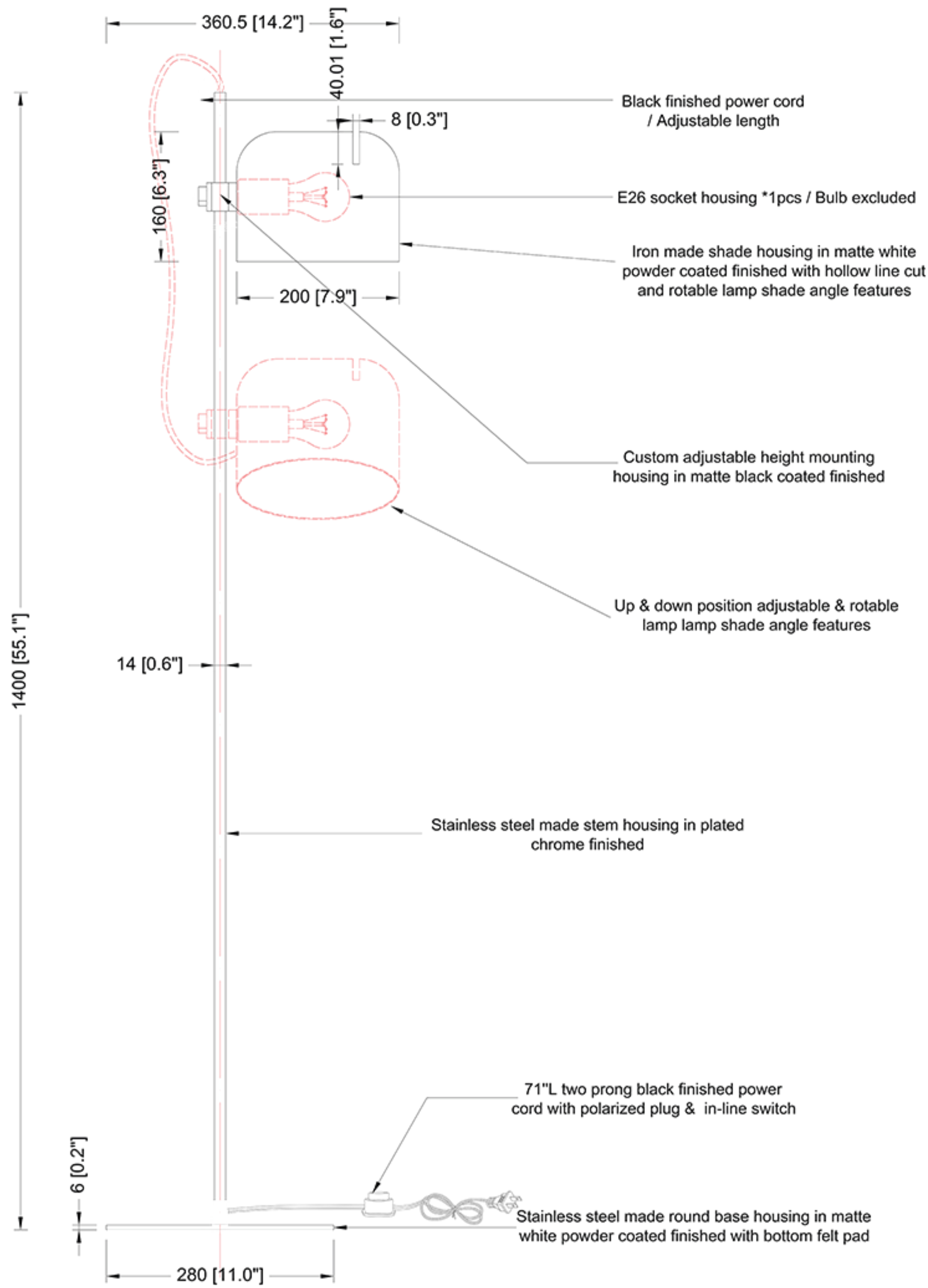
Date: \_\_\_\_\_

Signature: \_\_\_\_\_

Notes:



REEF LIGHTING RESERVES THE RIGHT TO CHANGE OR MODIFY THE PRODUCT SPECIFICATION WITHOUT NOTIFICATION.

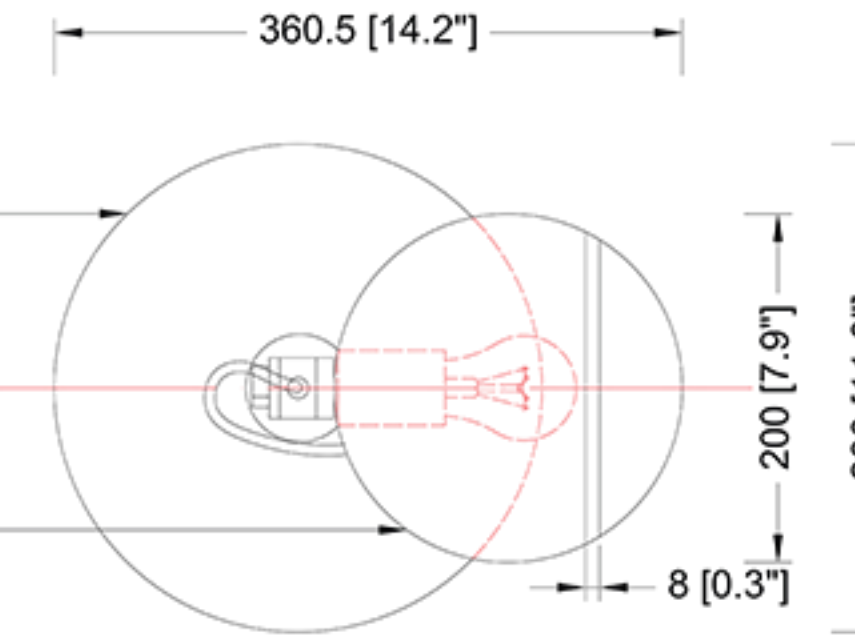


ELEVATION VIEW

SCALE: 1:10

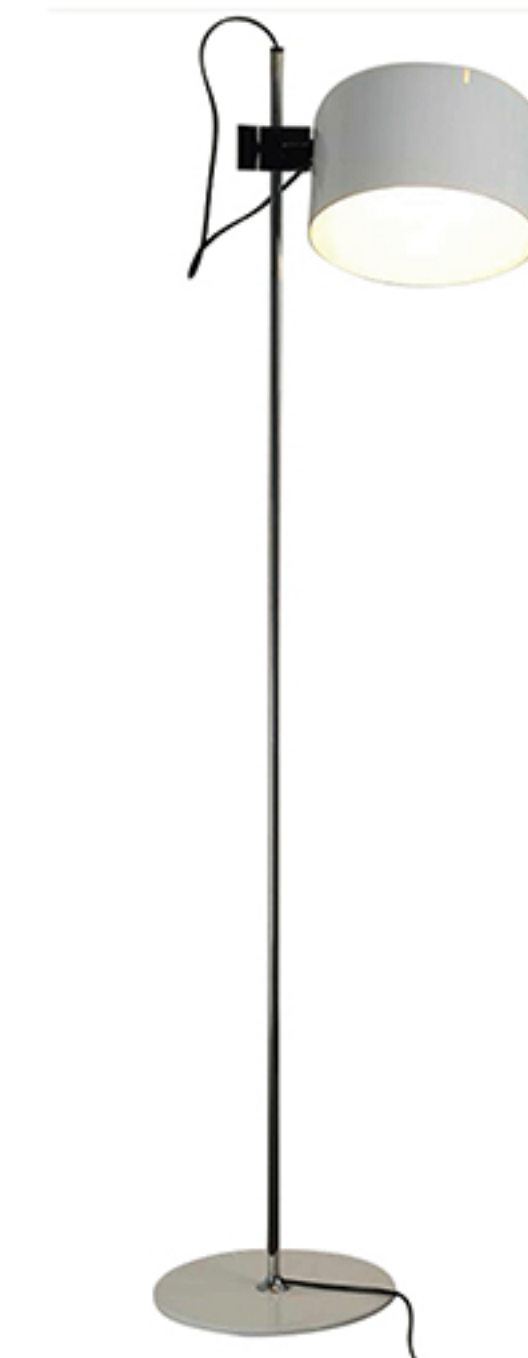
Stainless steel made round base housing in matte white powder coated finished with bottom felt pad

Iron made shade housing in matte white powder coated finished with hollow line cut and rotatable lamp shade angle features



TOP VIEW

SCALE: 1:10



Ref Pic

SCALE: NTS