



REEF LIGHTING
WHERE LIGHT TOUCHES THE SEA

PROJECT:

Reef Lighting

±5MM
Size tolerance
± 1/2°
Angle tolerance



Date: 30-06-2023

Revision:

Type: Table lamp

Item No: 9762-BK/CR

Dwg by:

Verification by:

Scale: 1: 5

Area/Location:

Dimension:

13.2"L x 9.1"W x 15.7"H

Finish: Matte black + White + Chrome finished

Materials: Stainless steel + Iron

Weight: 2.5 kgs

Light: E26 socket *1pcs / Bulb excluded

Qty: 8 pcs

Approved

Approved as noted

Revise & resubmit

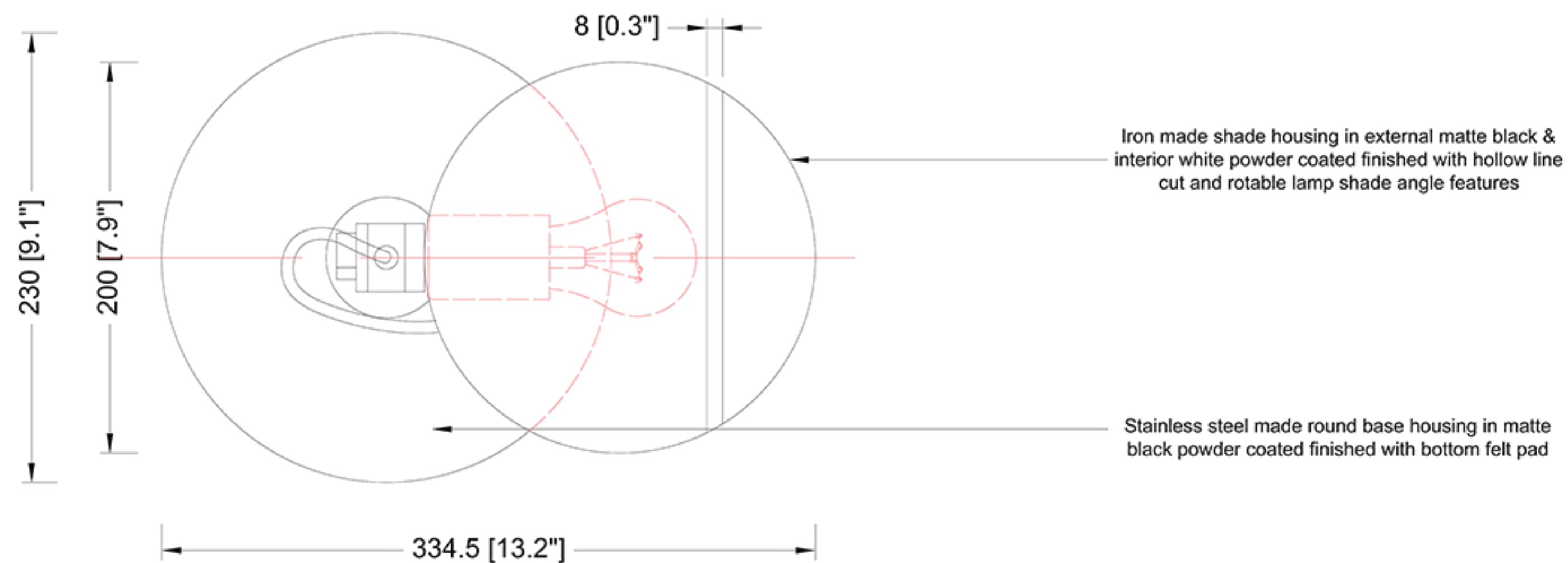
Date: _____

Signature: _____

Notes:

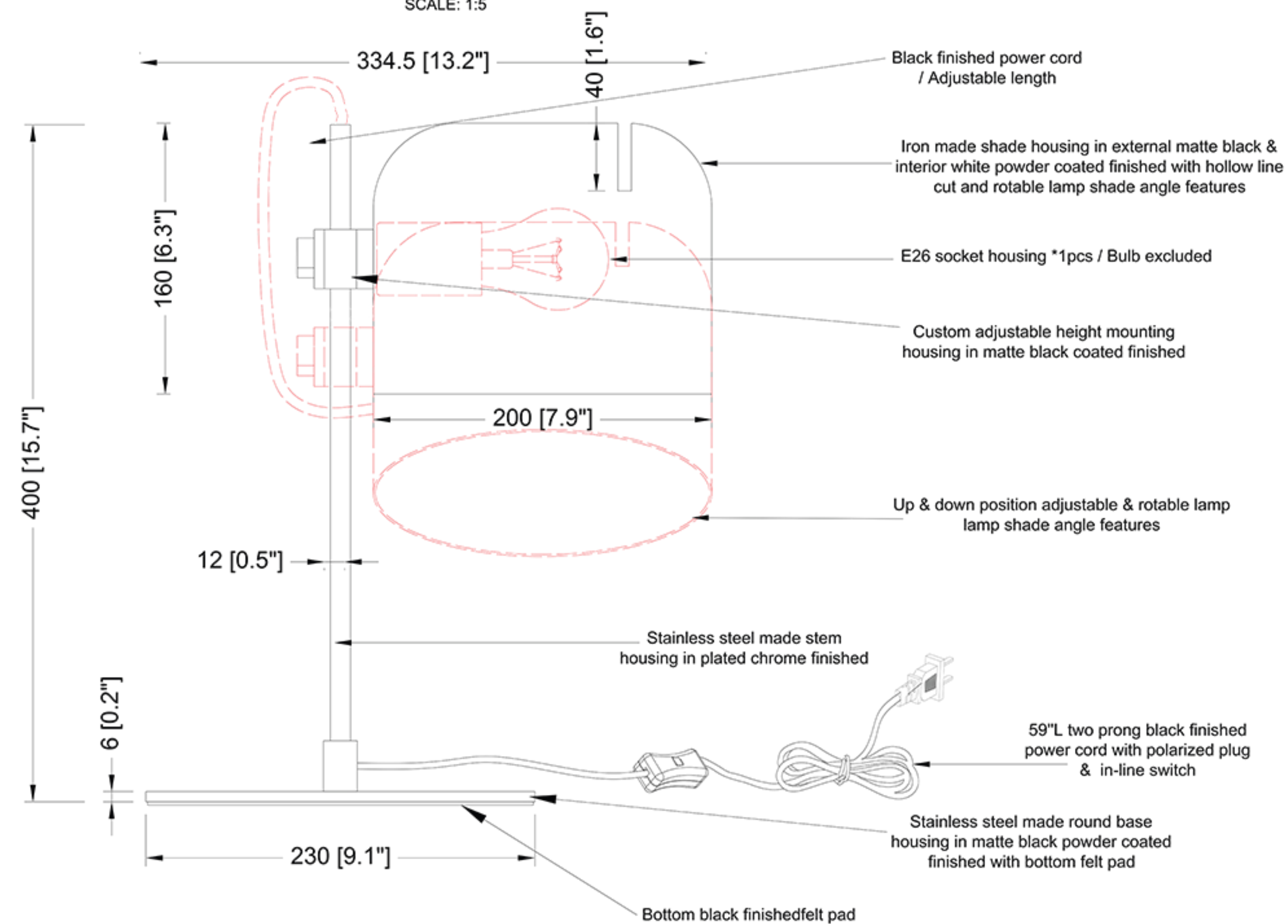


REEF LIGHTING RESERVES THE RIGHT TO CHANGE OR MODIFY THE PRODUCT SPECIFICATION WITHOUT NOTIFICATION.



BOTTOM VIEW

SCALE: 1:5



ELEVATION VIEW

SCALE: 1:5



Ref Pic

SCALE: NTS