



REEF LIGHTING
WHERE LIGHT TOUCHES THE SEA

PROJECT:

Reef Lighting

±5MM
Size tolerance
± 1/2°
Angle tolerance



Date: 30-06-2023

Revision:

Type: Floor lamp

Item No: 9764-BK

Dwg by:

Verification by:

Scale: 1: 10

Area/Location:

Dimension:

14.2"L x W11" x 55.1" H

Finish: Matte black + White + Chrome finished

Materials: Stainless steel + Iron

Weight: 7 kgs

Light: E26 socket *1pcs / Bulb excluded

Qty: 6 pcs

Approved

Approved as noted

Revise & resubmit

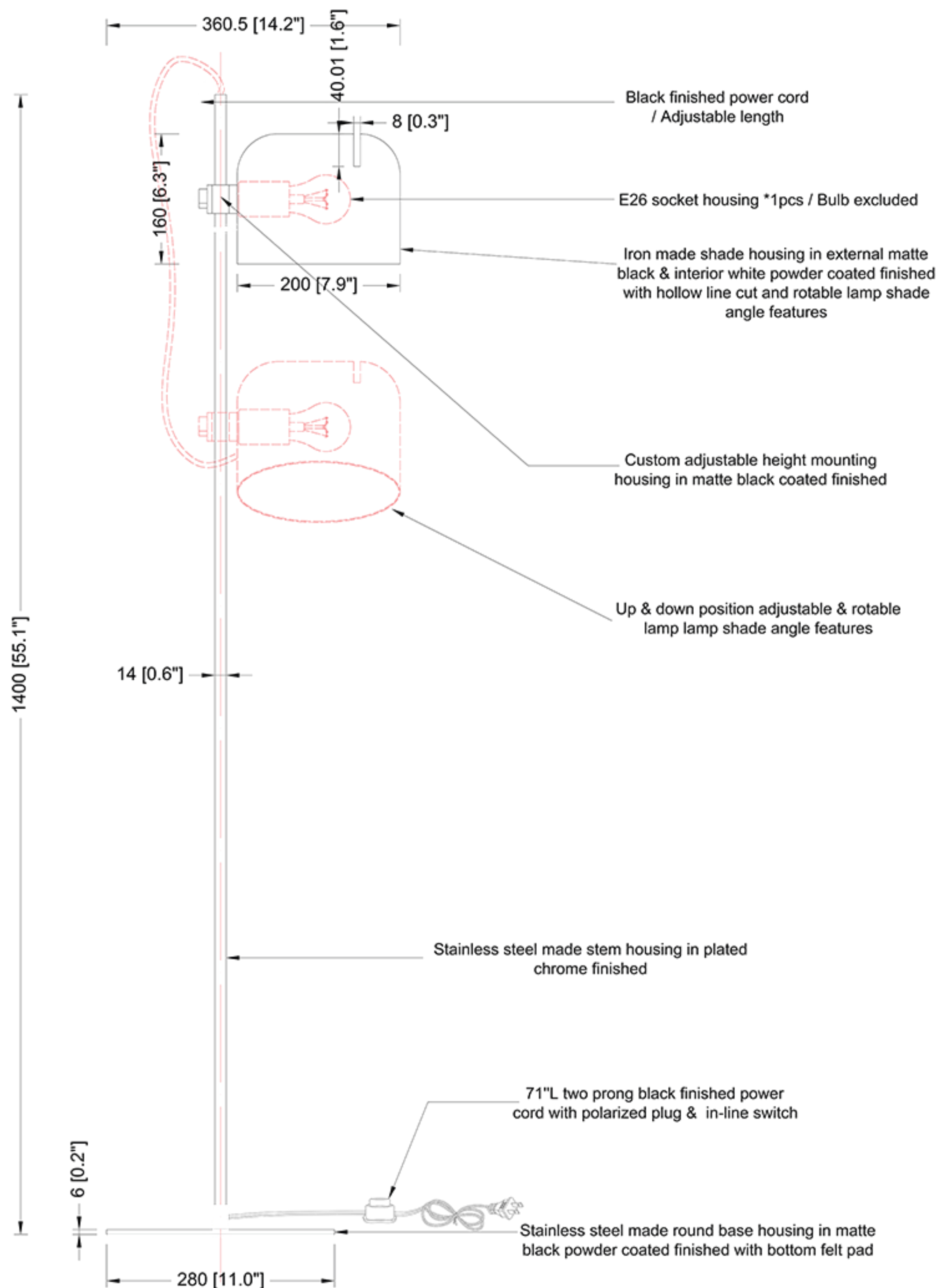
Date: _____

Signature: _____

Notes:



REEF LIGHTING RESERVES THE RIGHT TO CHANGE OR MODIFY THE PRODUCT SPECIFICATION WITHOUT NOTIFICATION.

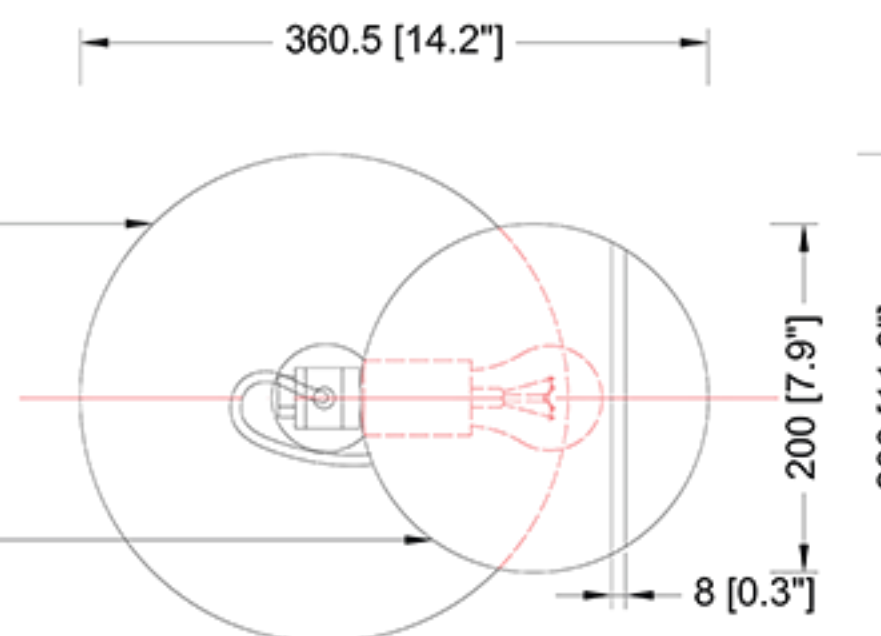


ELEVATION VIEW

SCALE: 1:10

Stainless steel made round base housing in matte black powder coated finished with bottom felt pad

Iron made shade housing in external matte black & interior white powder coated finished with hollow line cut and rotatable lamp shade angle features



TOP VIEW

SCALE: 1:10



Ref Pic

SCALE: NTS