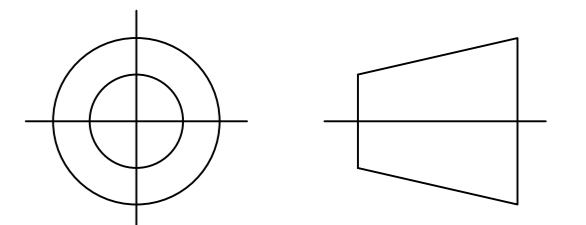


REEF LIGHTING
WHERE LIGHT TOUCHES THE SEA

PROJECT:

PO 5230

±5MM
Size tolerance
± 1/2°
Angle tolerance



Date: 26-07-2023

Revision:

Type: Pendant lamp

Item No: 9765-MBK

Dwg by:

Verification by:

Scale: 1: 10

Area/Location:

Dimension:
35.4"L x 35.4"W x 57.1"OAH

Finish: Matte black+White

Materials: Iron + Stainless steel + Glass

Weight: 20 kgs

Light: G9 sockets *33pcs / Bulbs excluded

Qty: 5 pcs

Approved

Approved as noted

Revise & resubmit

Date: _____

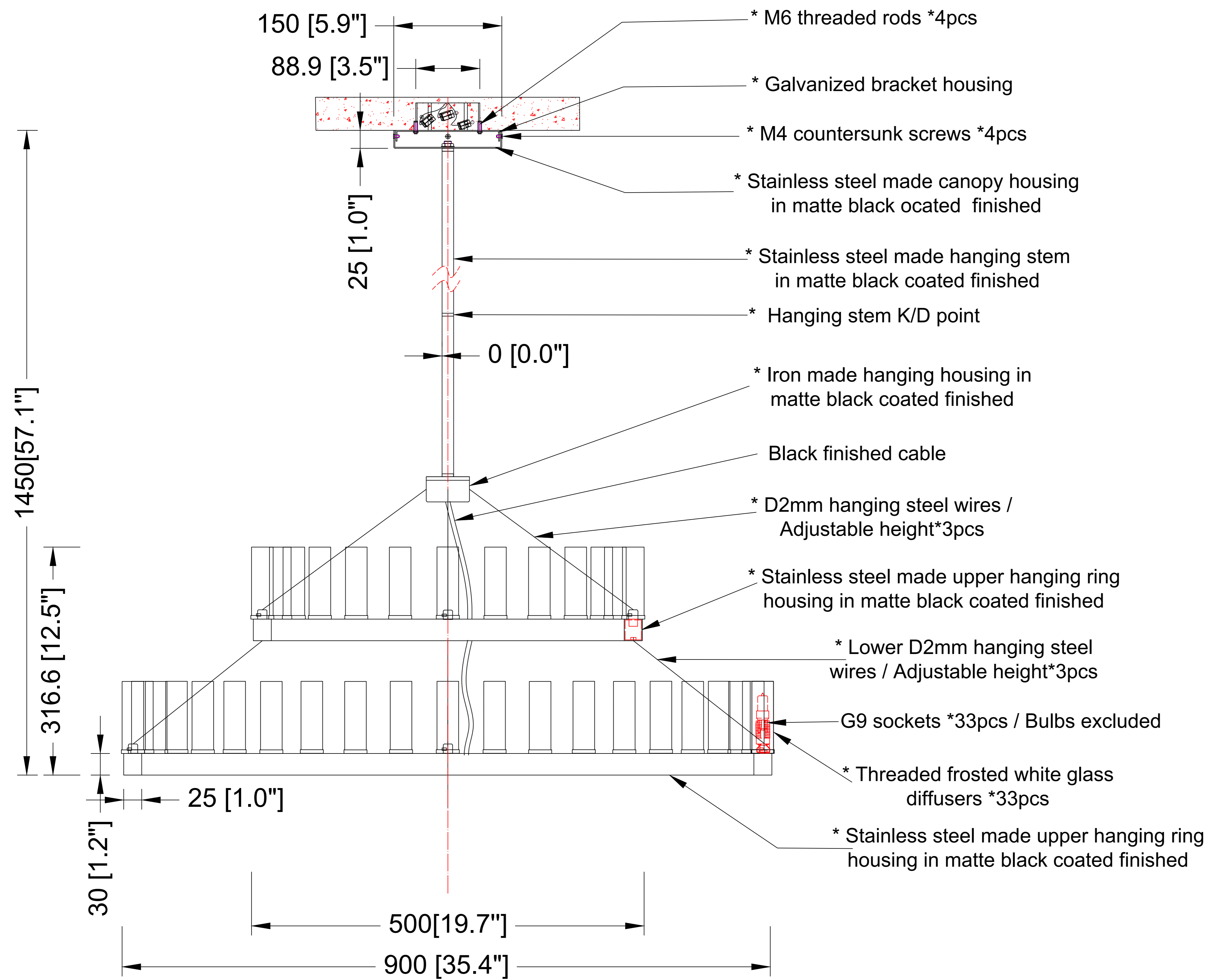
Signature: _____

Notes:

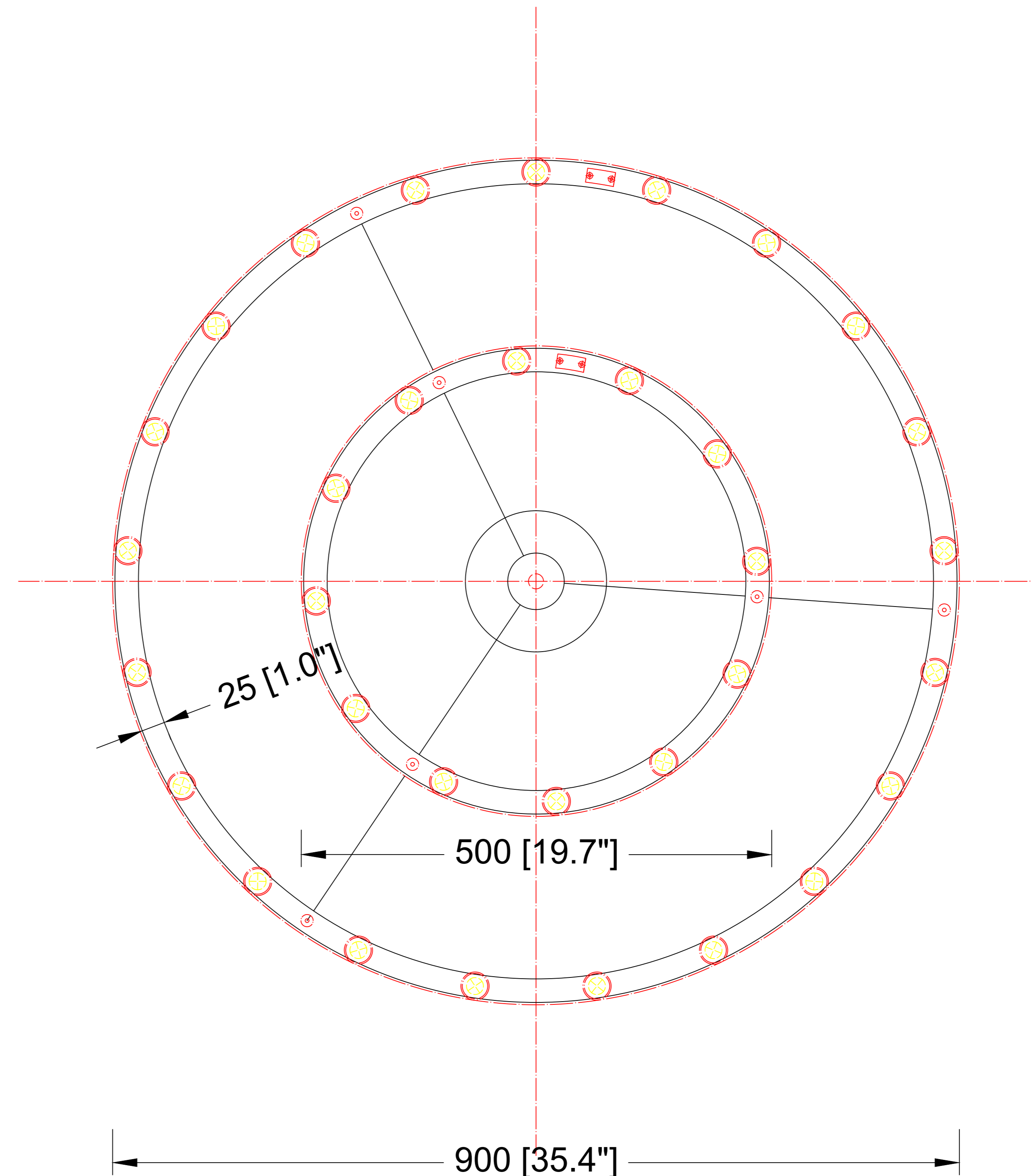
- *1: Different design & size canopy from original.
- *2: Different mounting structure from original.
- *3: Different hanging support housing structure from original.
- *4: Different glass diffuser mounting structure.



Reef Lighting, Inc. reserves the right to change or modify the product specifications without notification.



ELEVATION VIEW
SCALE: 1:10



BOTTOM VIEW
SCALE: 1:10



Ref Pic
SCALE: NTS