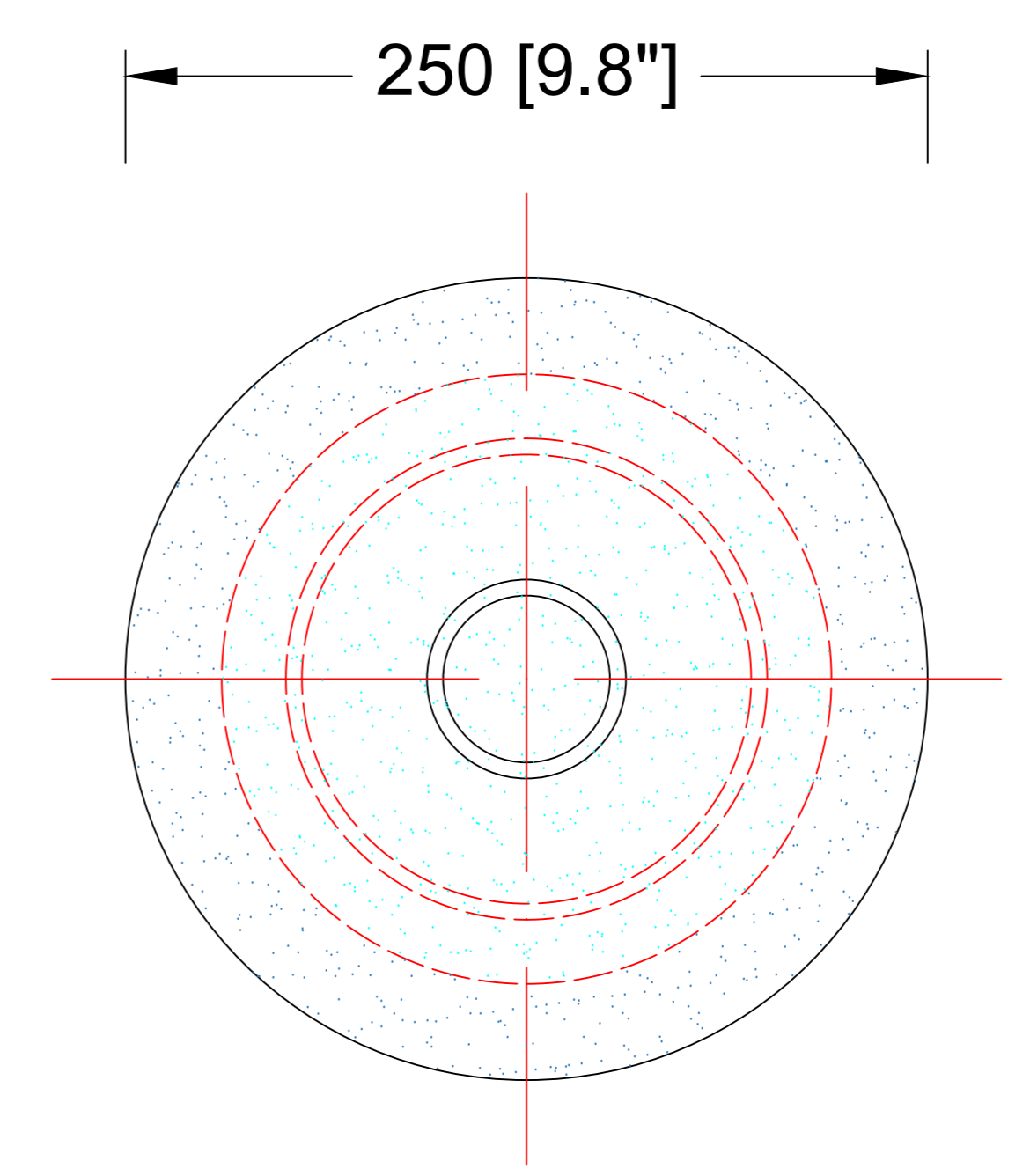


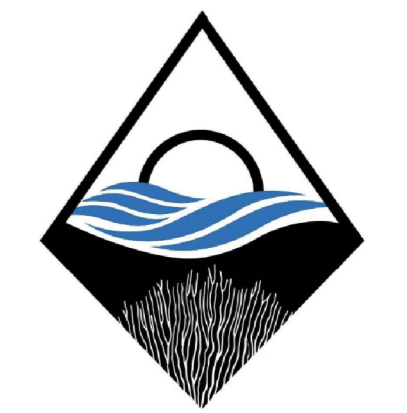
ELEVATION VIEW
SCALE: 1:8



BOTTOM VIEW
SCALE: 1:8



Ref Pic
SCALE: NTS



REEF LIGHTING
WHERE LIGHT TOUCHES THE SEA

PROJECT:
PO 5230

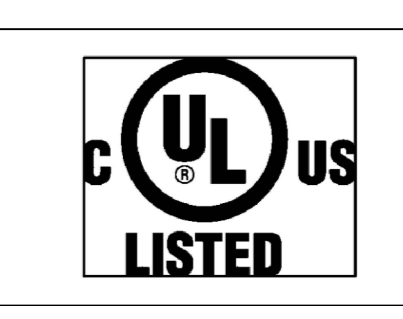
±5MM Size tolerance ± 1/2° Angle tolerance	
---	--

Date: 26-07-2023
Revision:
Type: Pendant lamp
Item No: 9327-C
Dwg by:
Verification by:

Scale: 1: 10
Area/Location:
Dimension: 9.8"L x 9.8"W x 120"OAH
Finish: Brass + Cyan blue + White + Amber finished
Materials: Stainless steel + Alu + Glass + Acylic
Weight: 6 kgs
Light: Osram LED 20W light 3000K / Triac dimming

Qty: 5 pcs
<input type="checkbox"/> Approved
<input type="checkbox"/> Approved as noted
<input type="checkbox"/> Revise & resubmit
Date: _____
Signature: _____

- Notes:
- *1: Different design & size canopy from original.
 - *2: Different mounting structure from original.
 - *3: Different but similar fixture size & custom size Alu housing from original.
 - *4: Different but similar glass finished from original.
 - *5: Triac dimming function.



Reef Lighting, Inc. reserves the right to change or modify the product specifications without notification.