



REEF LIGHTING  
WHERE LIGHT TOUCHES THE SEA

PROJECT:

# Reef Lighting

±5MM  
Size tolerance  
± 1/2°  
Angle tolerance



Date: 30-06-2023

Revision:

Type: Wall sconce

Item No: 9583-2

Dwg by:

Verification by:

Scale: 1: 5

Area/Location:

Dimension:

12.2"L x 6.7"H \*8.7" Depth

Finish: Matte black + White finished

Materials: Stainless steel + Iron + Glass +Alu

Weight: 2.5kgs

Light: G9 sockets \*2pcs / Bulbs excluded

Qty: 10 pcs

Approved

Approved as noted

Revise & resubmit

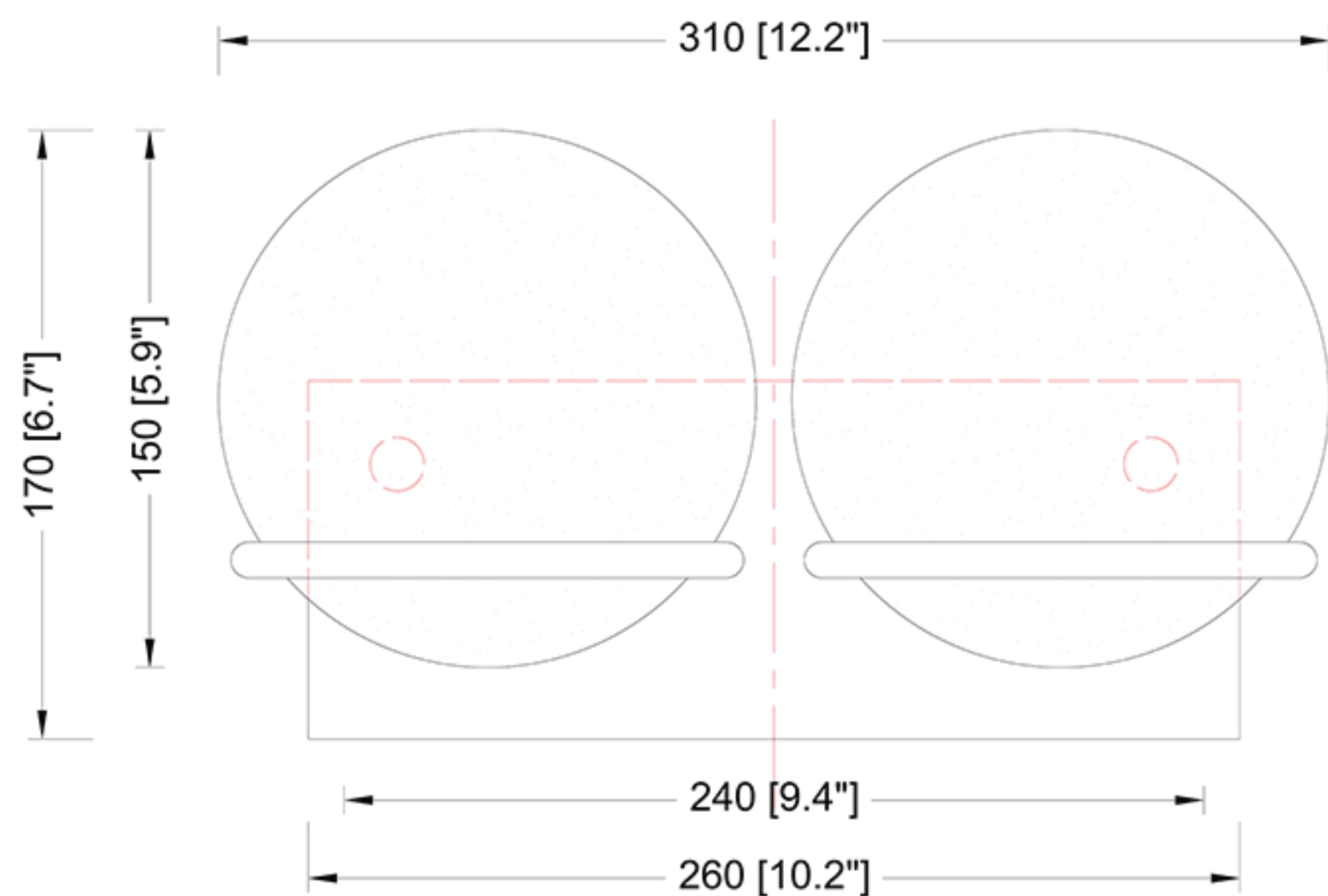
Date: \_\_\_\_\_

Signature: \_\_\_\_\_

Notes:

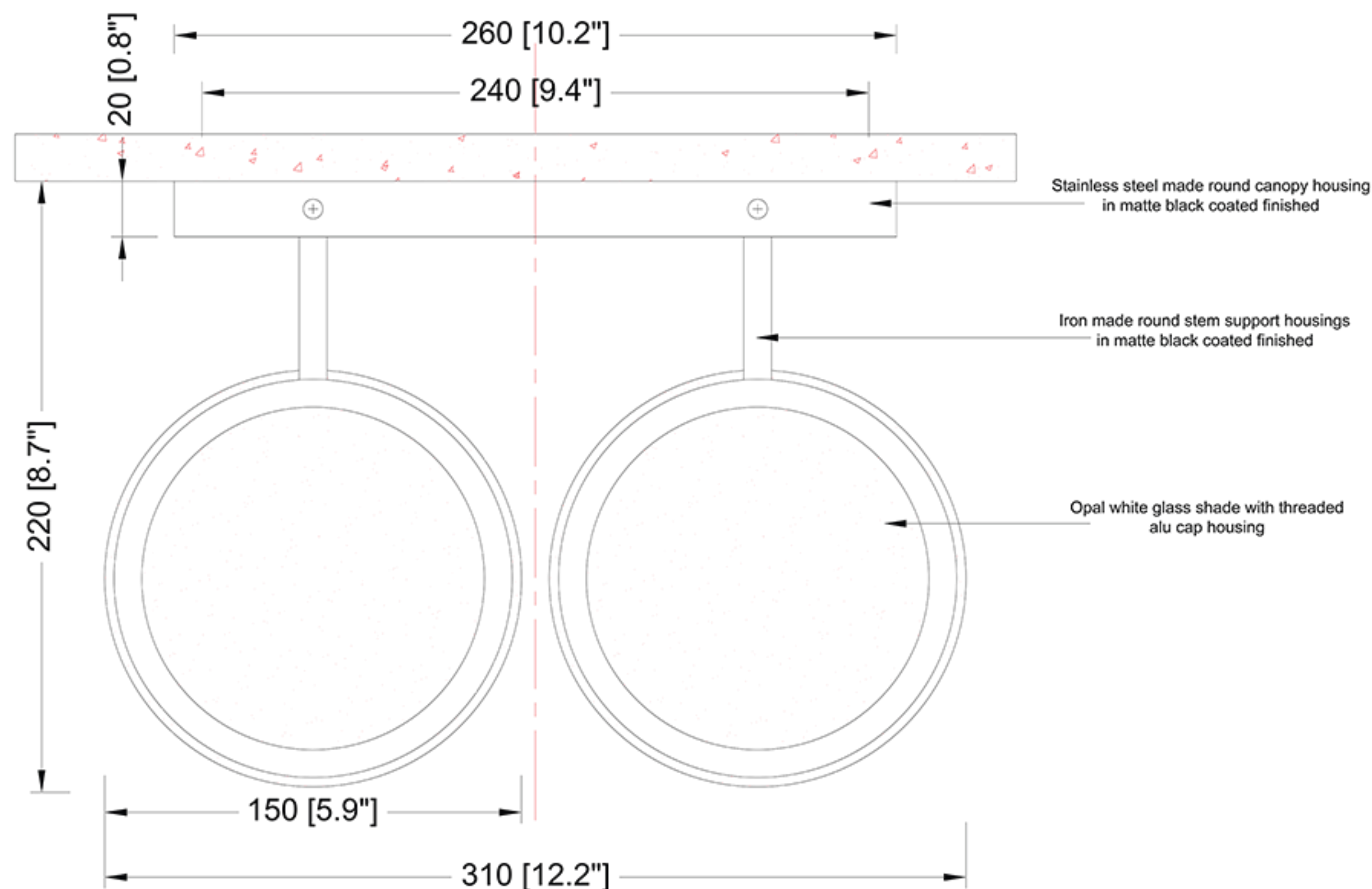


REEF LIGHTING RESERVES THE RIGHT TO CHANGE OR MODIFY THE PRODUCT SPECIFICATION WITHOUT NOTIFICATION.



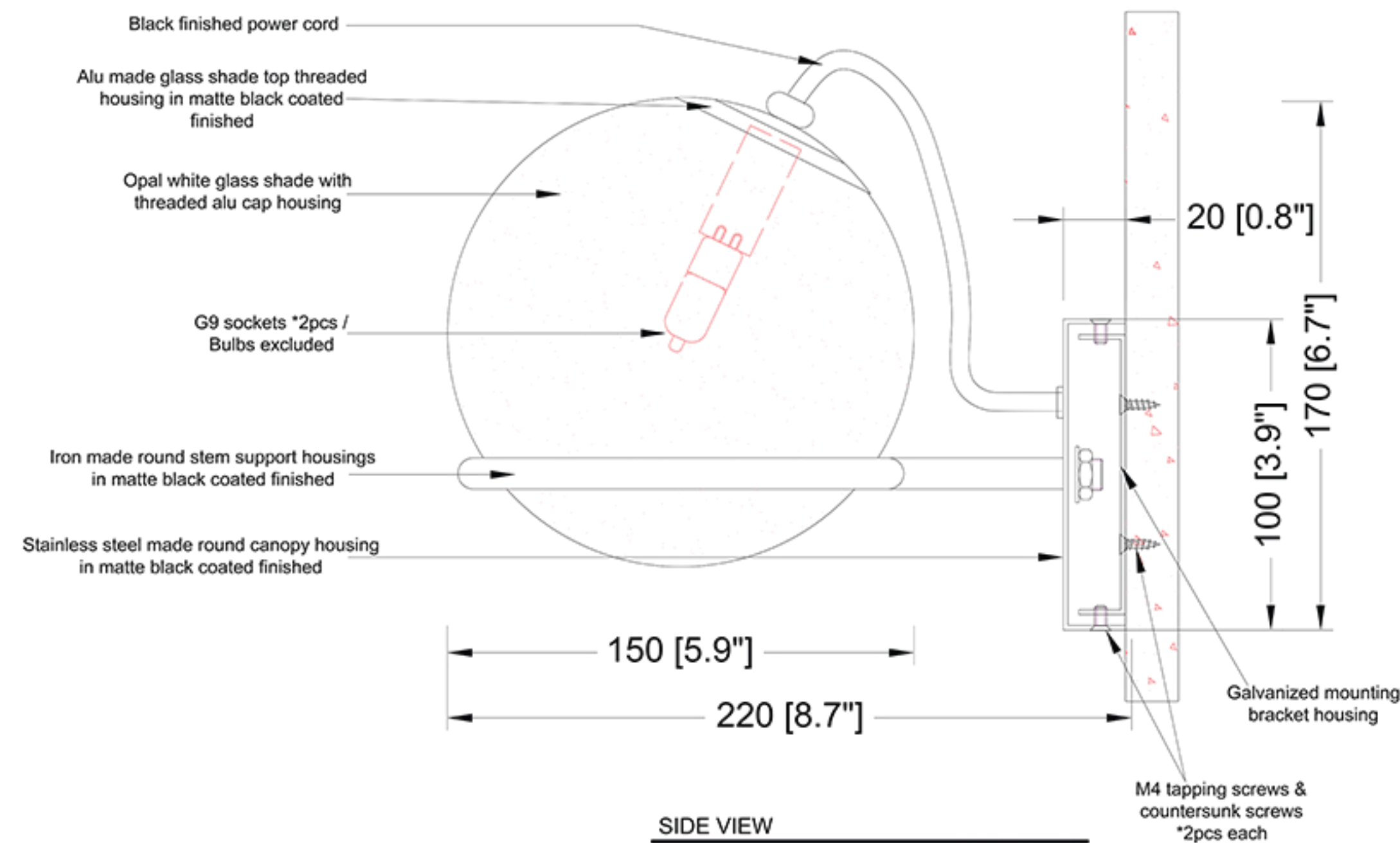
ELEVATION VIEW

SCALE: 1:5



BOTTOM VIEW

SCALE: 1:5



SIDE VIEW

SCALE: 1:5



Ref Pic

SCALE: NTS