

REEF LIGHTING
WHERE LIGHT TOUCHES THE SEA

PROJECT:

PO 5230

| | |
|---|--|
| ±5MM Size tolerance ± 1/2° Angle tolerance | |
|---|--|

Date: 26-07-2023

Revision:

Type: Pendant lamp

Item No: 9819-L-PN

Dwg by:

Verification by:

Scale: 1: 9

Area/Location:

Dimension:
39.4"L x 39.4"W x 120"OAH

Finish: Polished nickel + Clear crystal finished

Materials: Stainless steel + Alu + Glass

Weight: 23 kgs

Light: Osram LED 50W light 3000K / None dimming

Qty: 3 pcs

Approved

Approved as noted

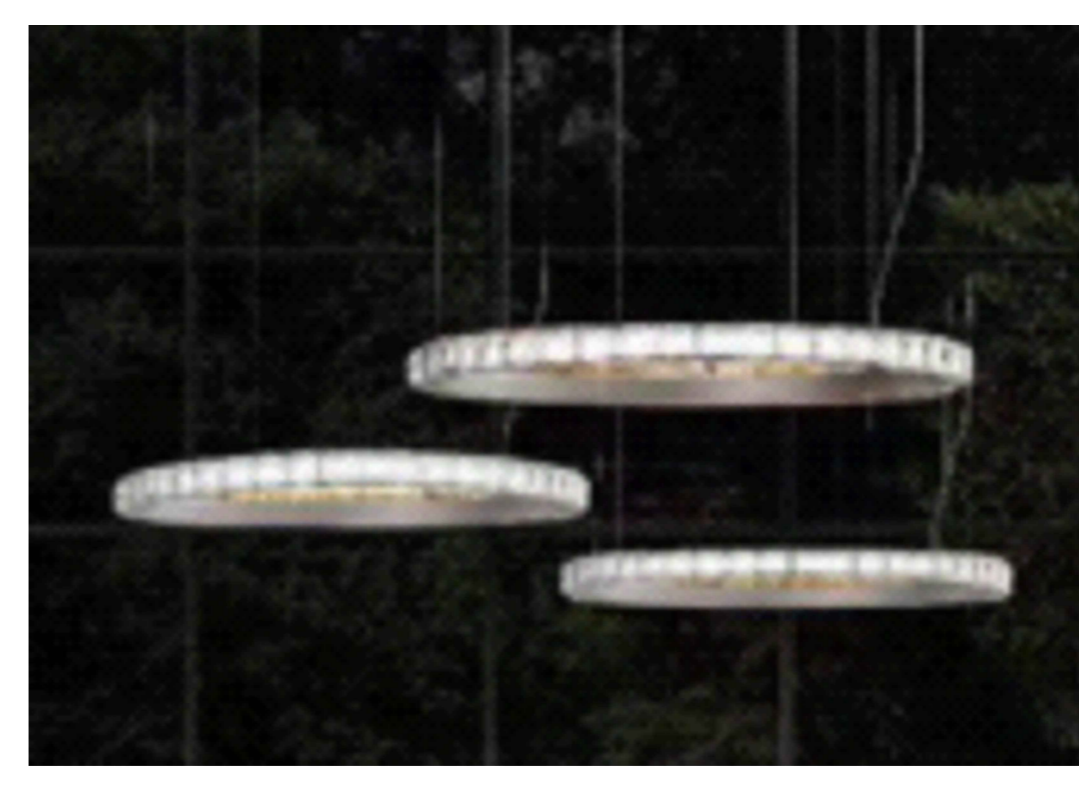
Revise & resubmit

Date: _____

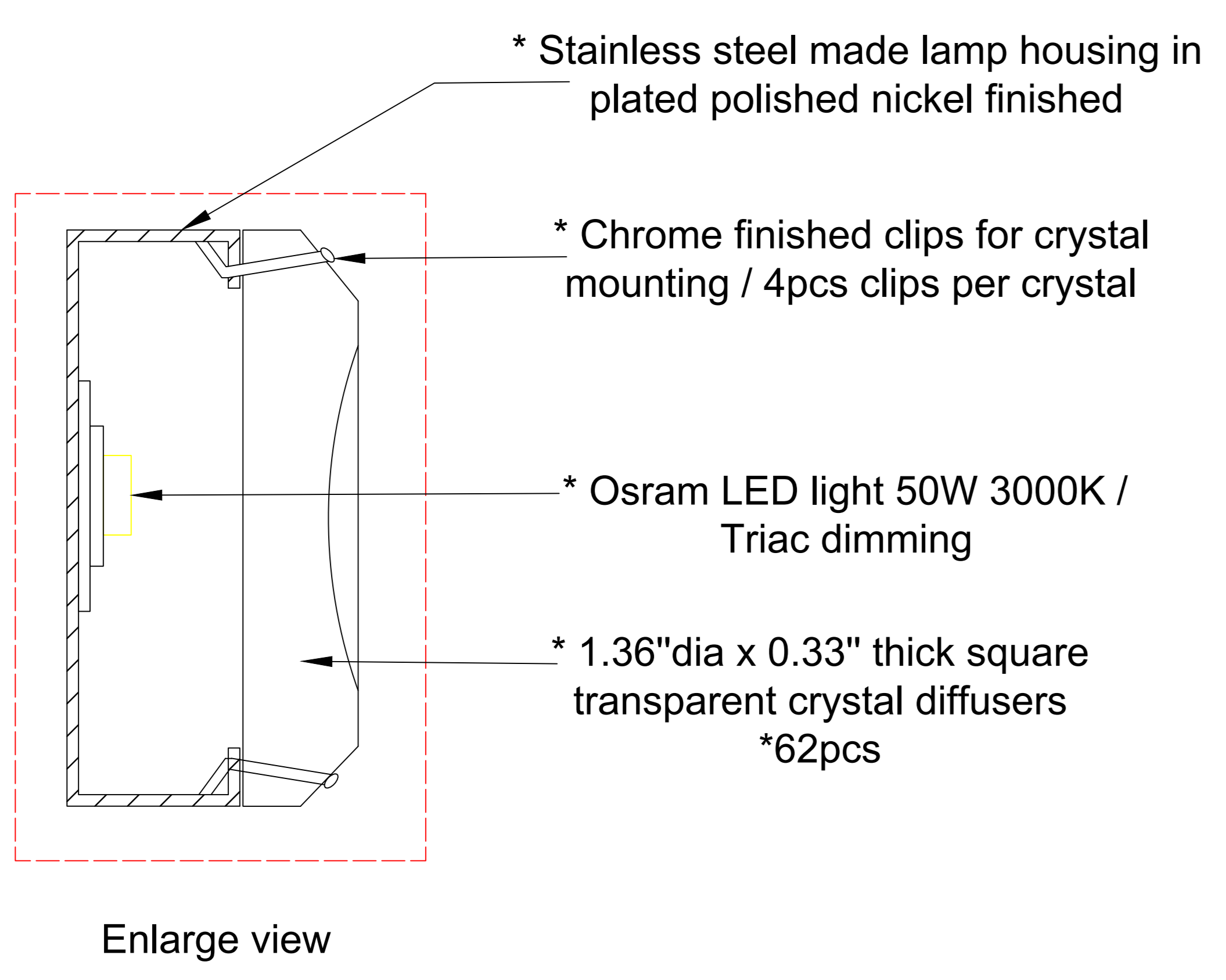
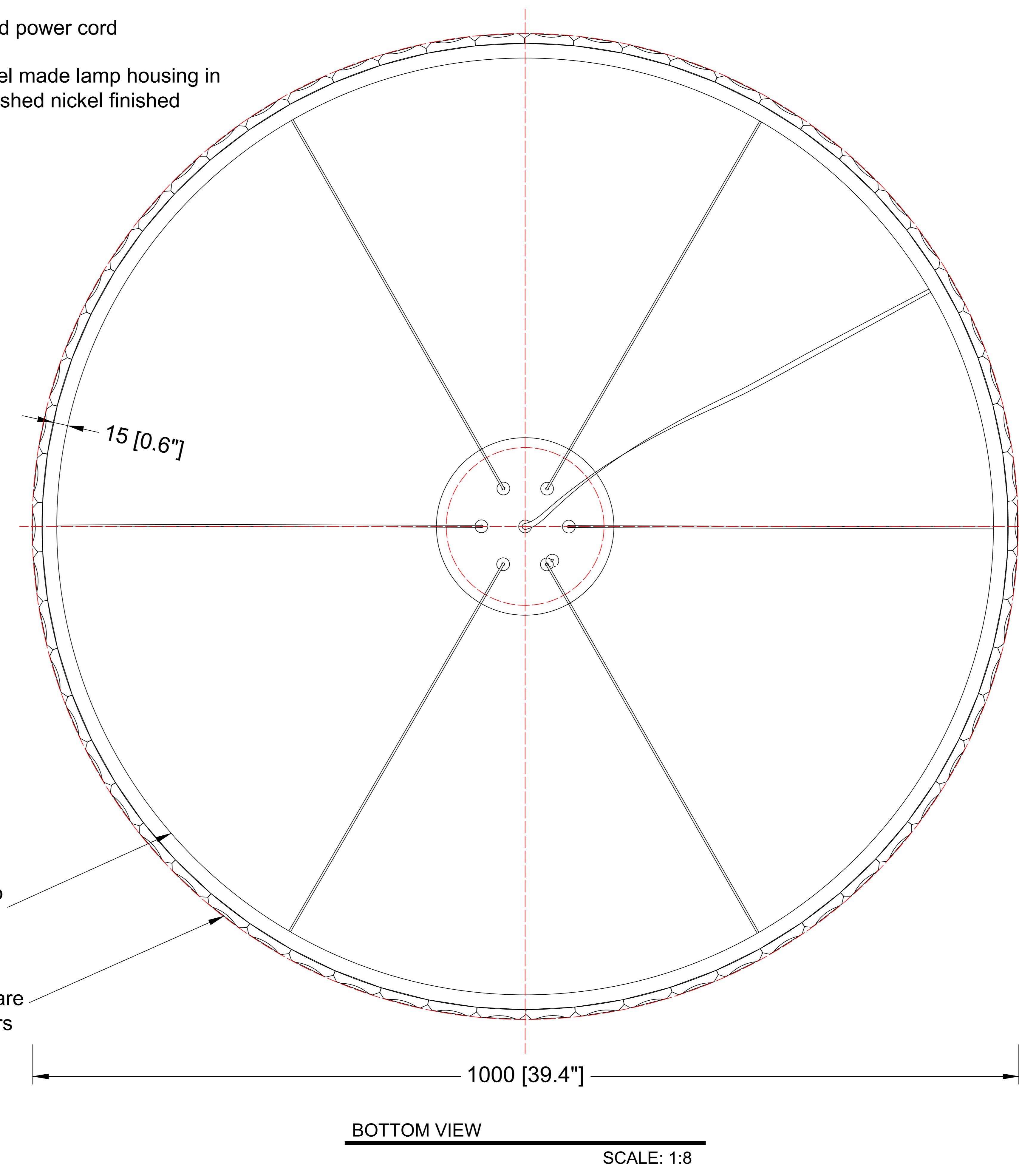
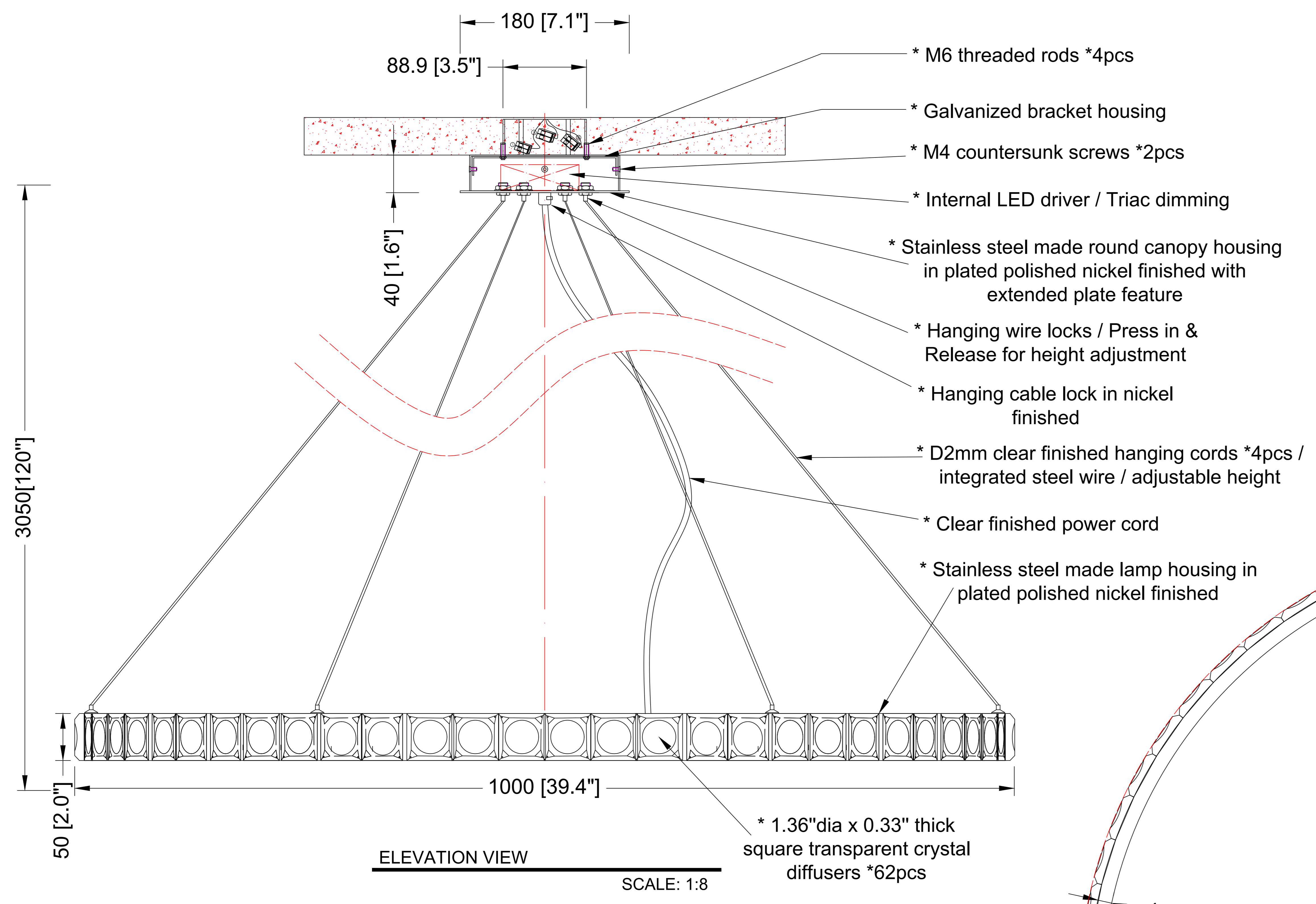
Signature: _____

Notes:

- *1: Different design & size canopy from original.
- *2: Different mounting structure from original.
- *3: Different but similar fixture size from original.
- *4: Different but similar crystal & its mounting structure from original.
- *5: Triac dimming function.



Ref Pic
SCALE: NTS



Reef Lighting, Inc. reserves the right to change or modify the product specifications without notification.