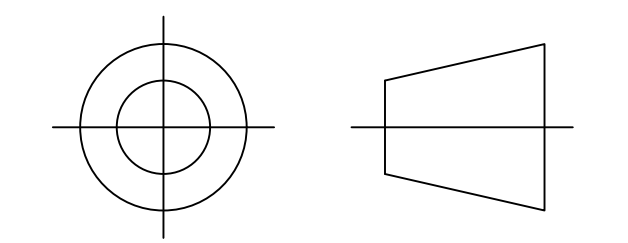


REEF LIGHTING
WHERE LIGHT TOUCHES THE SEA

PROJECT:

PO 5230

±5MM
Size tolerance
± 1/2°
Angle tolerance



Date: 26-07-2023

Revision:

Type: Pendant lamp

Item No: 9511-A

Dwg by:

Verification by:

Scale: 1: 8

Area/Location:

Dimension:

15.7"L x 15.7"W x 120"OAH

Finish: Clear glass + Matte black + White

Materials: Glass + Alu + Iron + Stainless steel + Acrylic

Weight: 5 kgs

Light: Osram LED light 9W 3000K / None dimming

Qty: 5 pcs

Approved

Approved as noted

Revise & resubmit

Date: _____

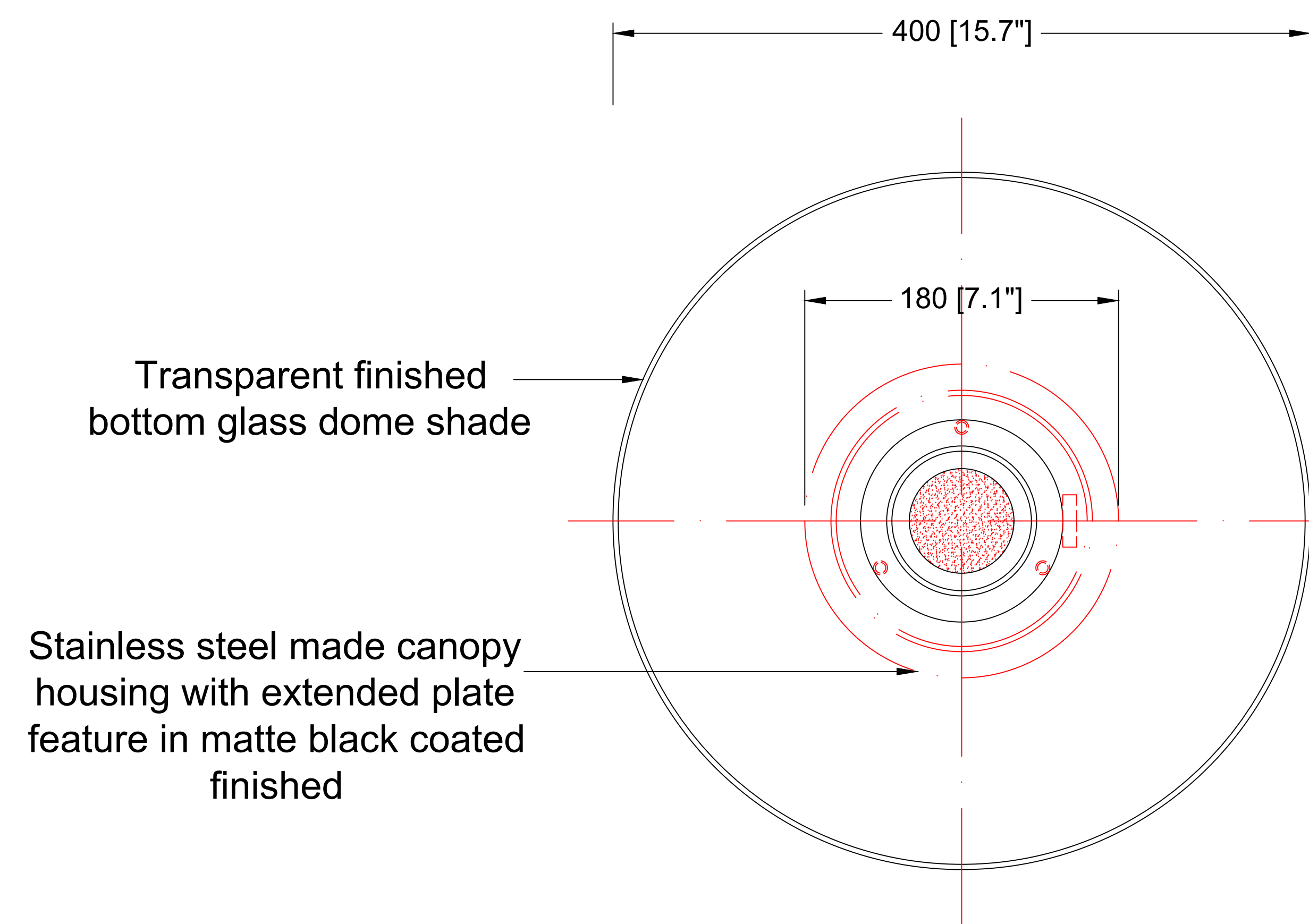
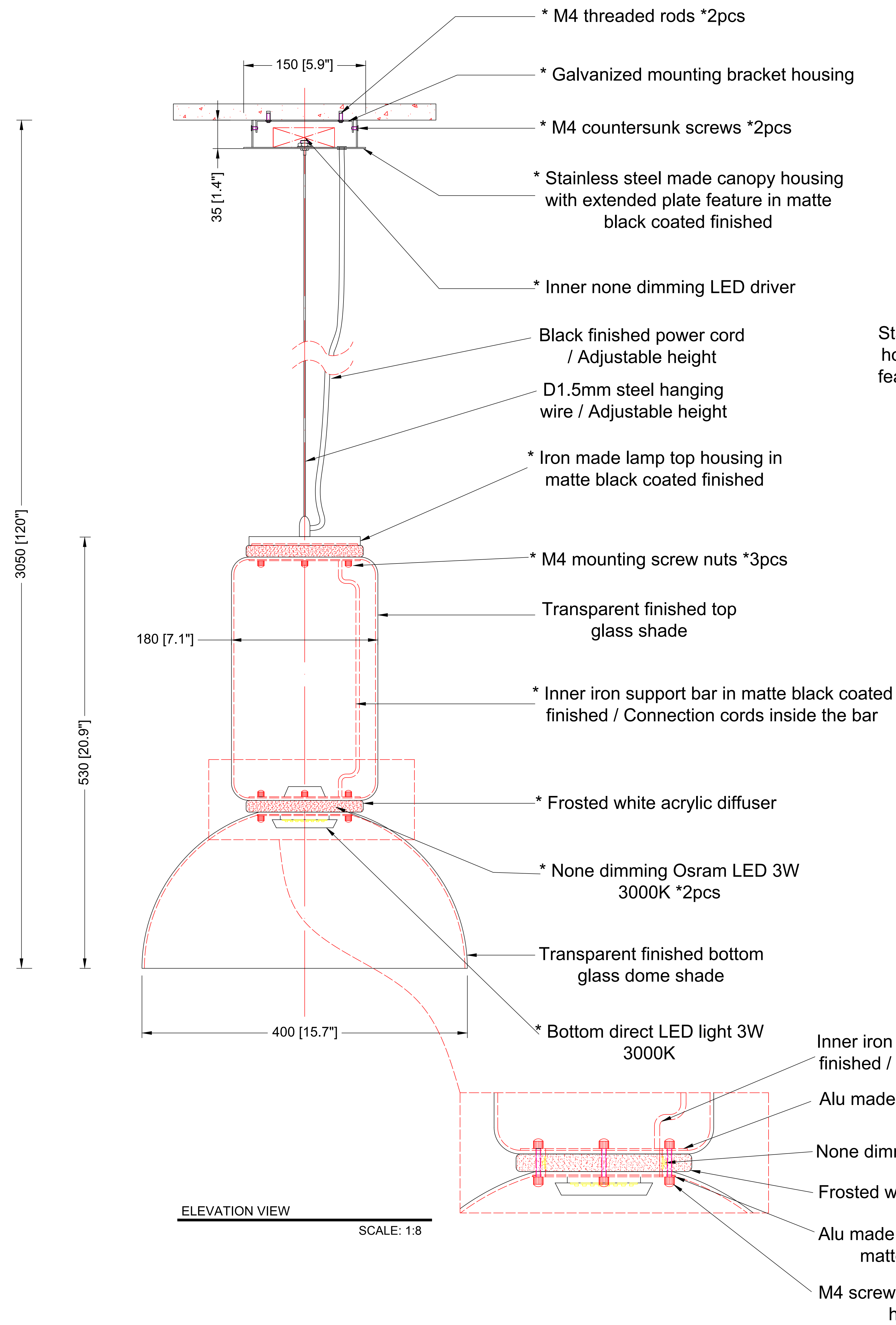
Signature: _____

Notes:

- *1: Different design & size canopy from original.
- *2: Different LED light & structure from original.
- *3: Different conjoint structure from original.
- *4: Different bottom direct light from original.
- *5: None dimming for this series of fixtures.



Reef Lighting, Inc. reserves the right to change or modify the product specifications without notification.



Ref Pic

SCALE: NTS