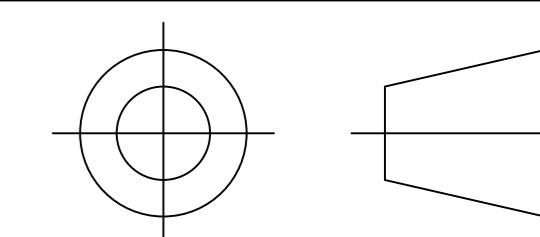


REEF LIGHTING
WHERE LIGHT TOUCHES THE SEA

PROJECT:

PO 5230

±5MM
Size tolerance
± 1/2°
Angle tolerance



Date: 26-07-2023

Revision:

Type: Pendant lamp

Item No: 9637-PN

Dwg by:

Verification by:

Scale: 1: 10

Area/Location:

Dimension:

27.6"L x 27.6"W x 120"OAH

Finish: Polished nickel

Materials: Stainless steel + Iron

Weight: 8 kgs

Light: S14 sockets *5pcs / Bulbs excluded

Qty: 5 pcs

Approved

Approved as noted

Revise & resubmit

Date: _____

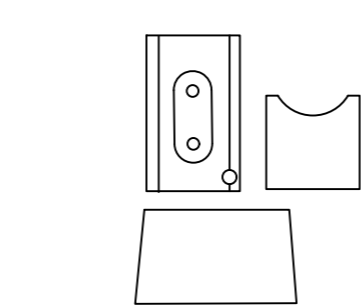
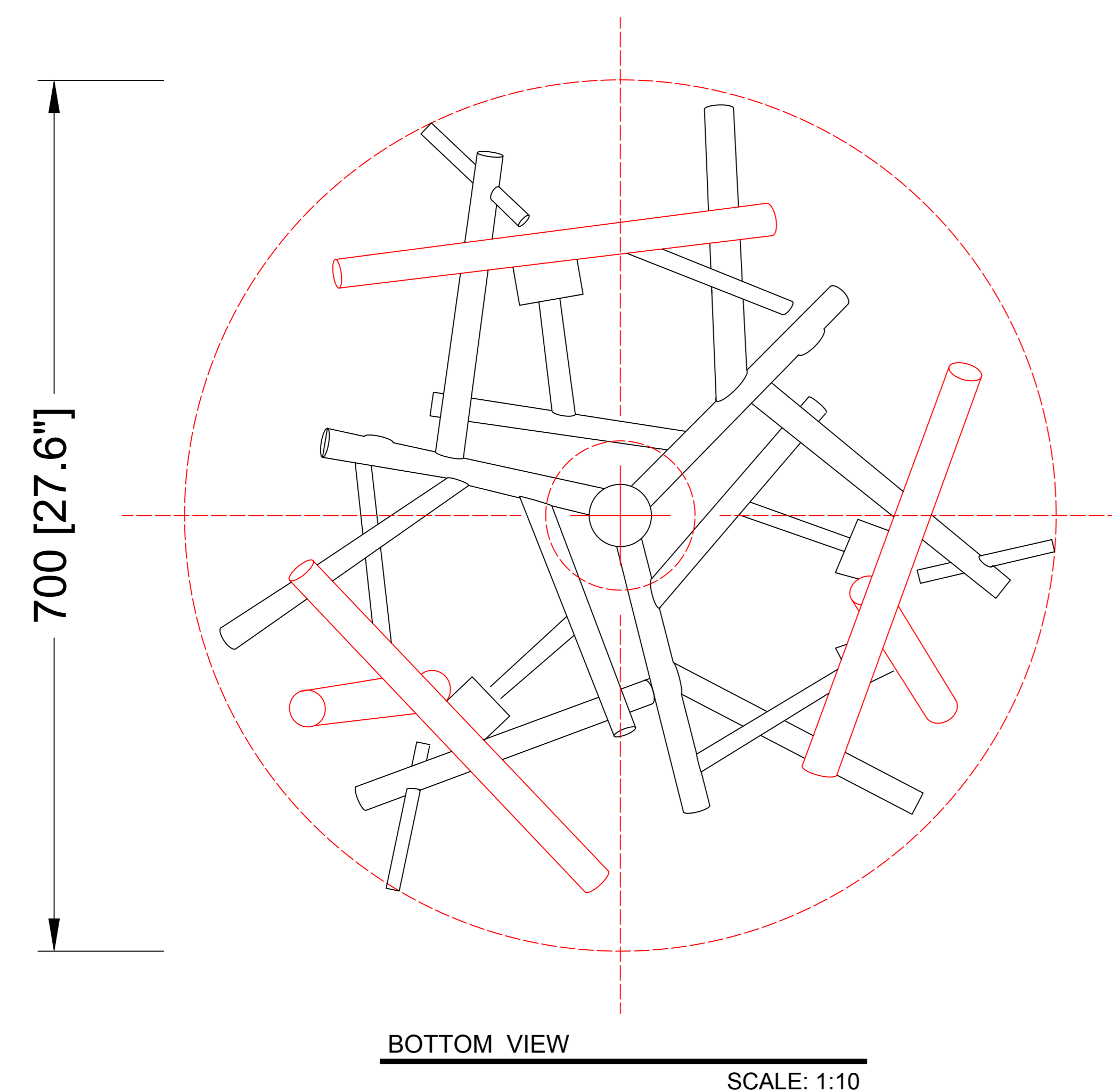
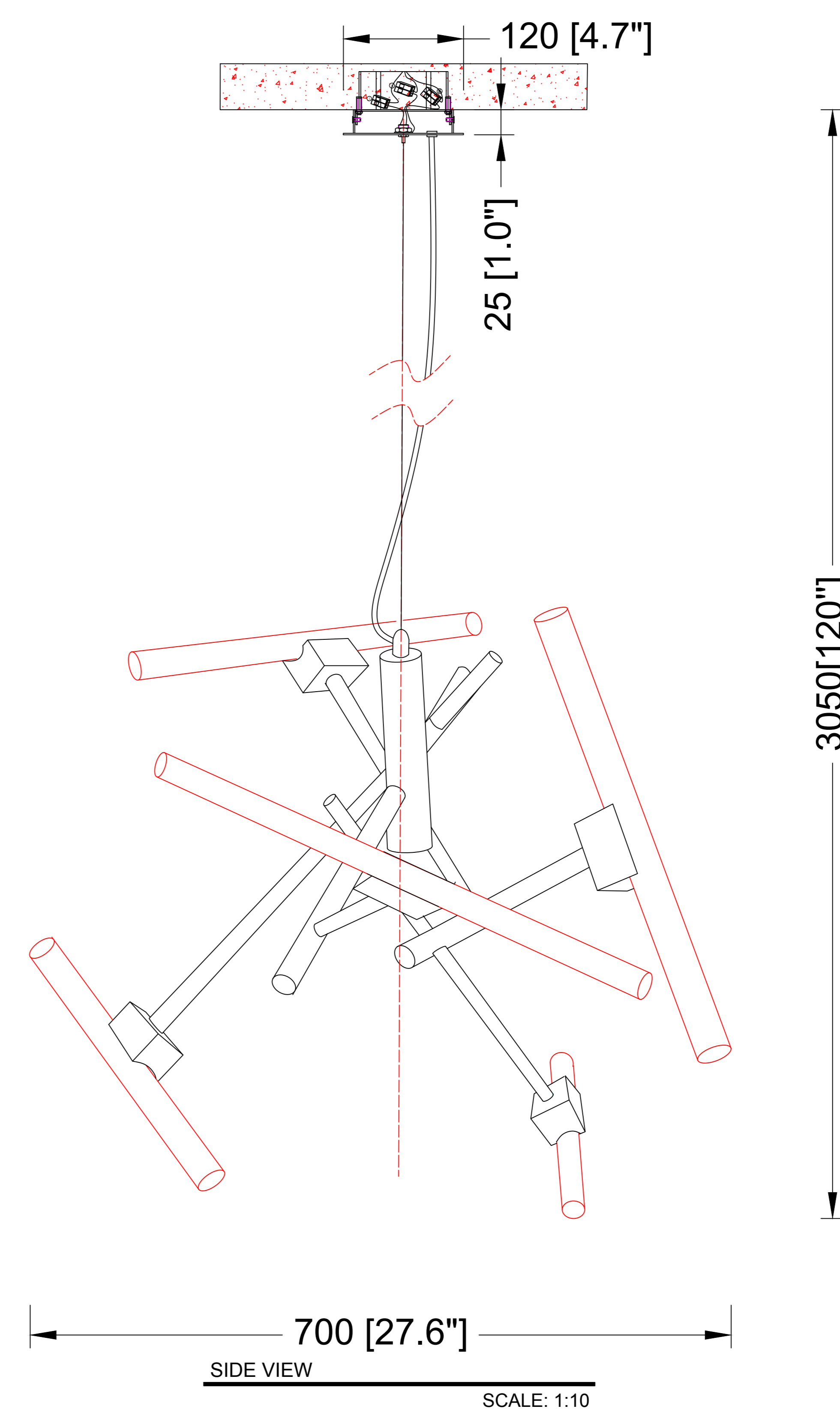
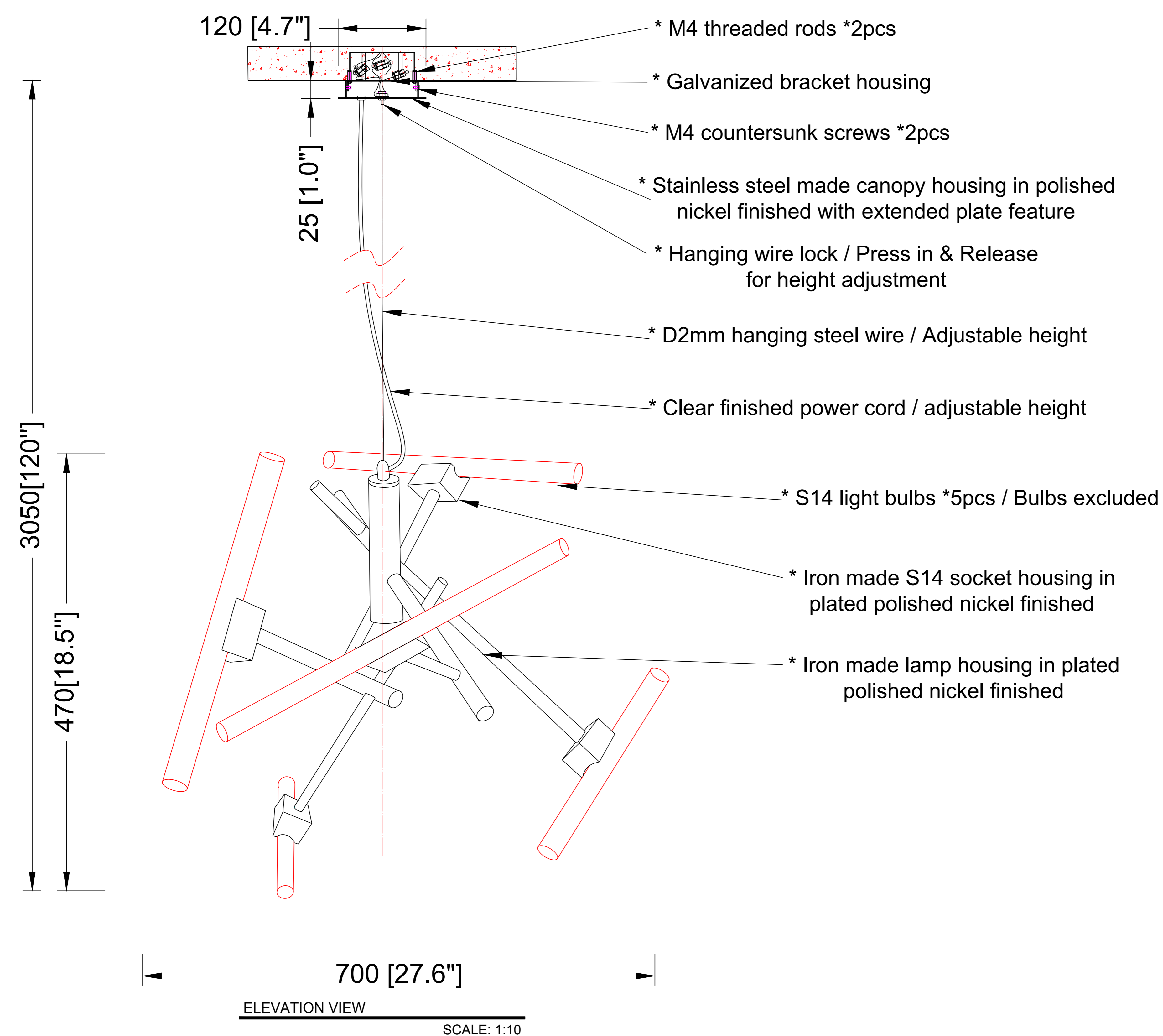
Signature: _____

Notes:

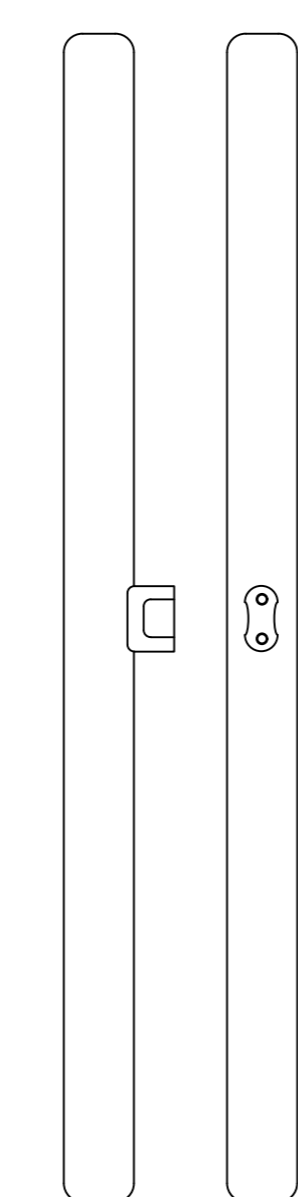
- *1: Different design & size canopy from original.
- *2: Different mounting structure from original.
- *3: Different finished from original.
- *4: Different but similar lamp housings from original.



Reef Lighting, Inc. reserves the right to change or modify the product specifications without notification.



S14 socket housing



S14 light bulb (Excluded)



Ref Pic

SCALE: NTS