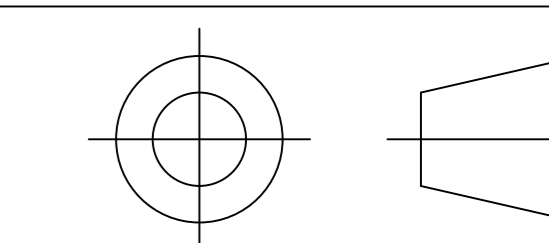


REEF LIGHTING  
WHERE LIGHT TOUCHES THE SEA

PROJECT:

PO 5230

±5MM  
Size tolerance  
± 1/2°  
Angle tolerance



Date: 26-07-2023

Revision:

Type: Pendant lamp

Item No: 9327-B

Dwg by:

Verification by:

Scale: 1: 10

Area/Location:

Dimension:

48"L x 9.8"W x 120"OAH

Finish: Brass + Smoked gray+ White + Amber finished

Materials: Stainless steel + Iron + Alu + Glass + Acrylic

Weight: 11 kgs

Light: Osram LED light 30W 3000K / Triac dimming

Qty: 5 pcs

Approved

Approved as noted

Revise & resubmit

Date: \_\_\_\_\_

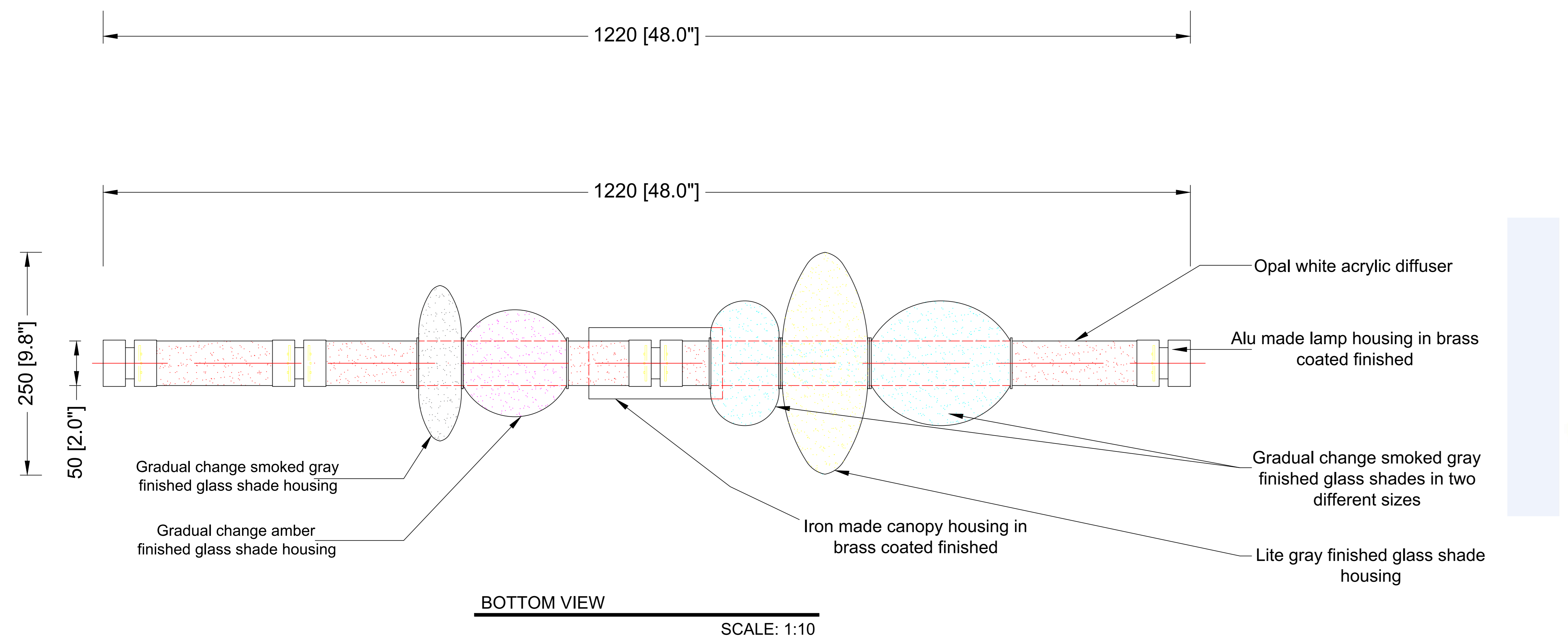
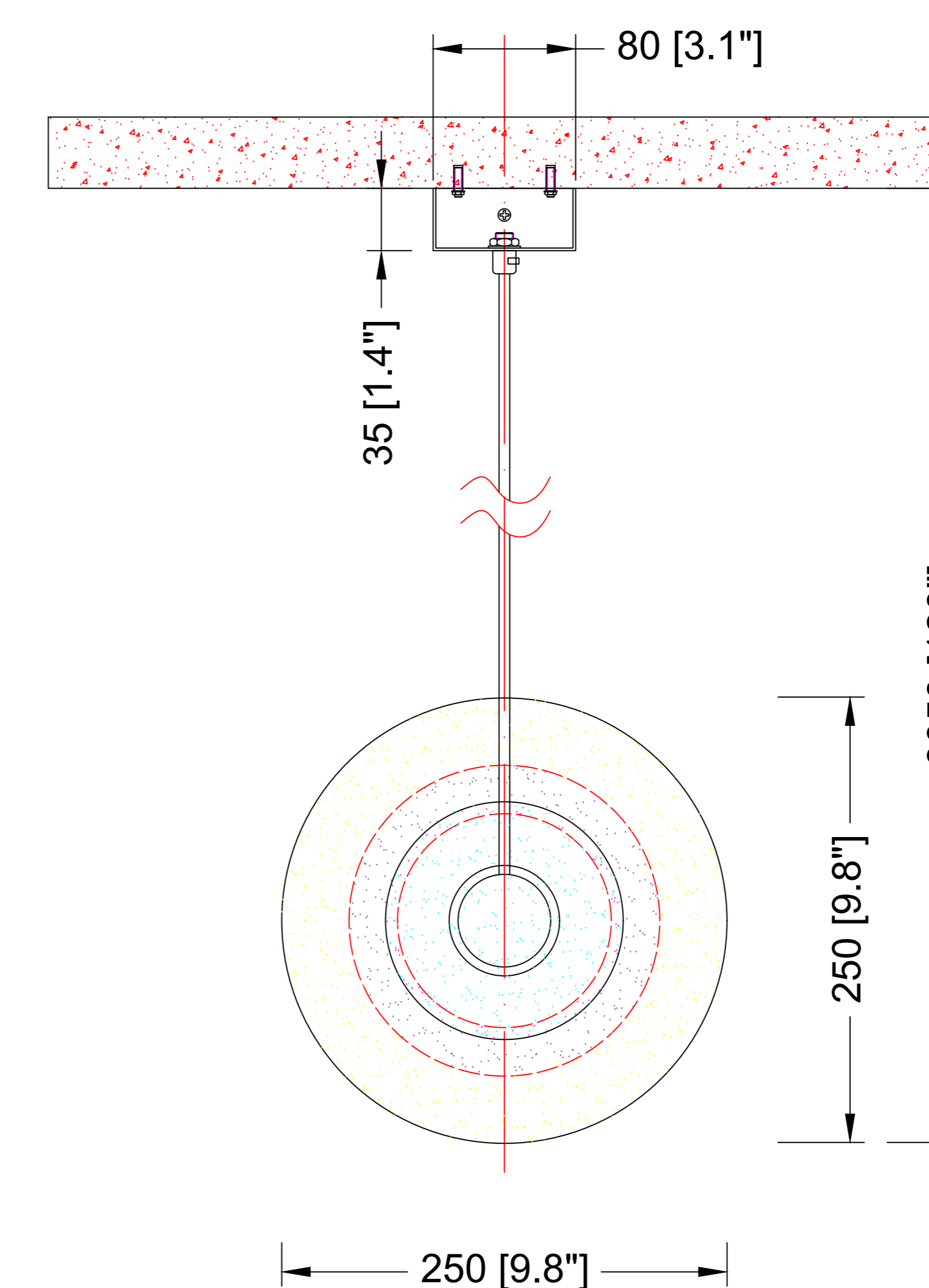
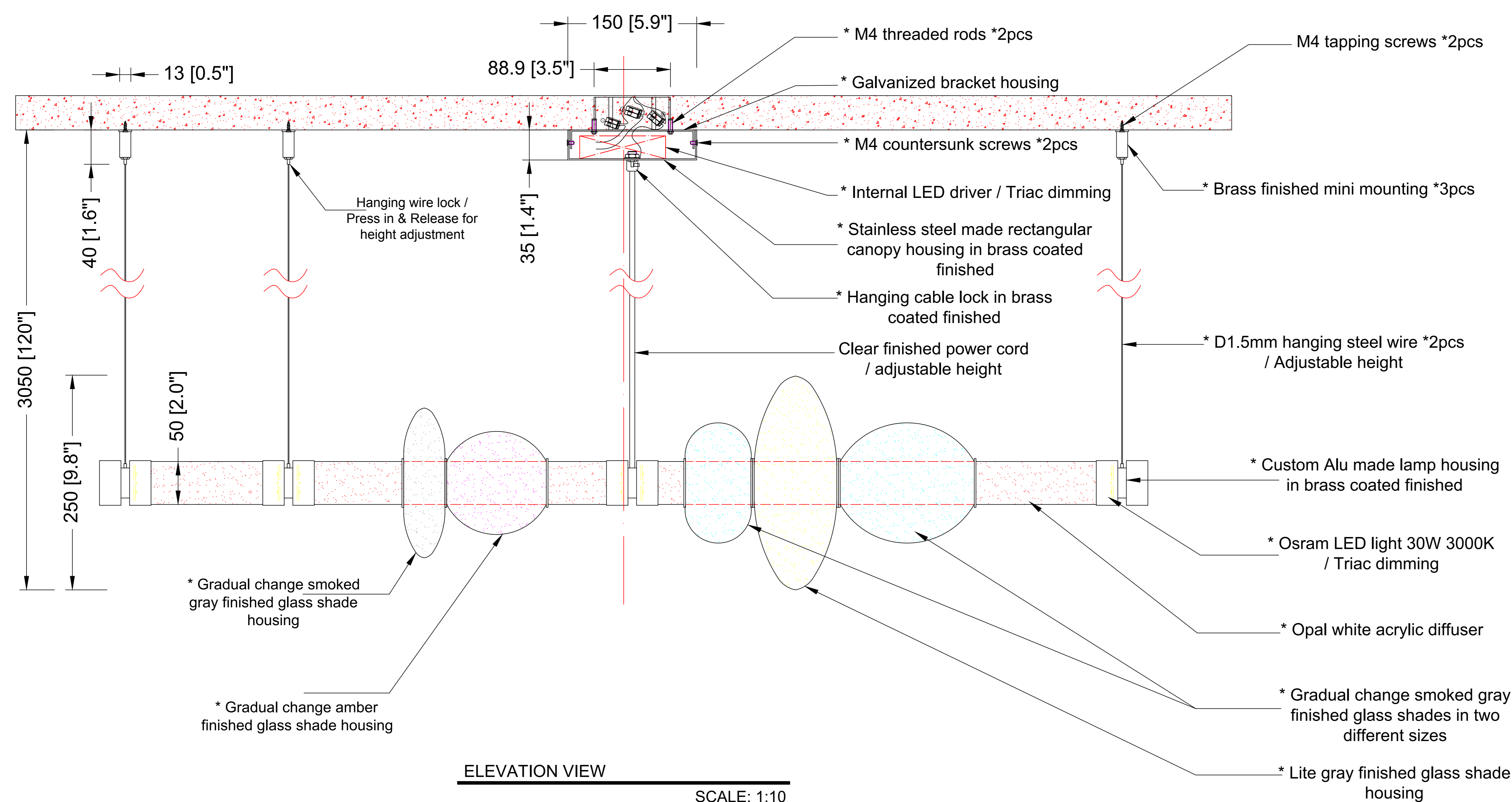
Signature: \_\_\_\_\_

Notes:

- \*1: Different design & size canopy from original.
- \*2: Different mounting structure from original.
- \*3: Different but similar fixture size & custom size Alu housing from original.
- \*4: Different but similar glass finished from original.
- \*5: Triac dimming function.



Reef Lighting, Inc. reserves the right to change or modify the product specifications without notification.



**Ref Pic**  
SCALE: NTS