

REEF LIGHTING  
WHERE LIGHT TOUCHES THE SEA

PROJECT:  
**PO 5230**

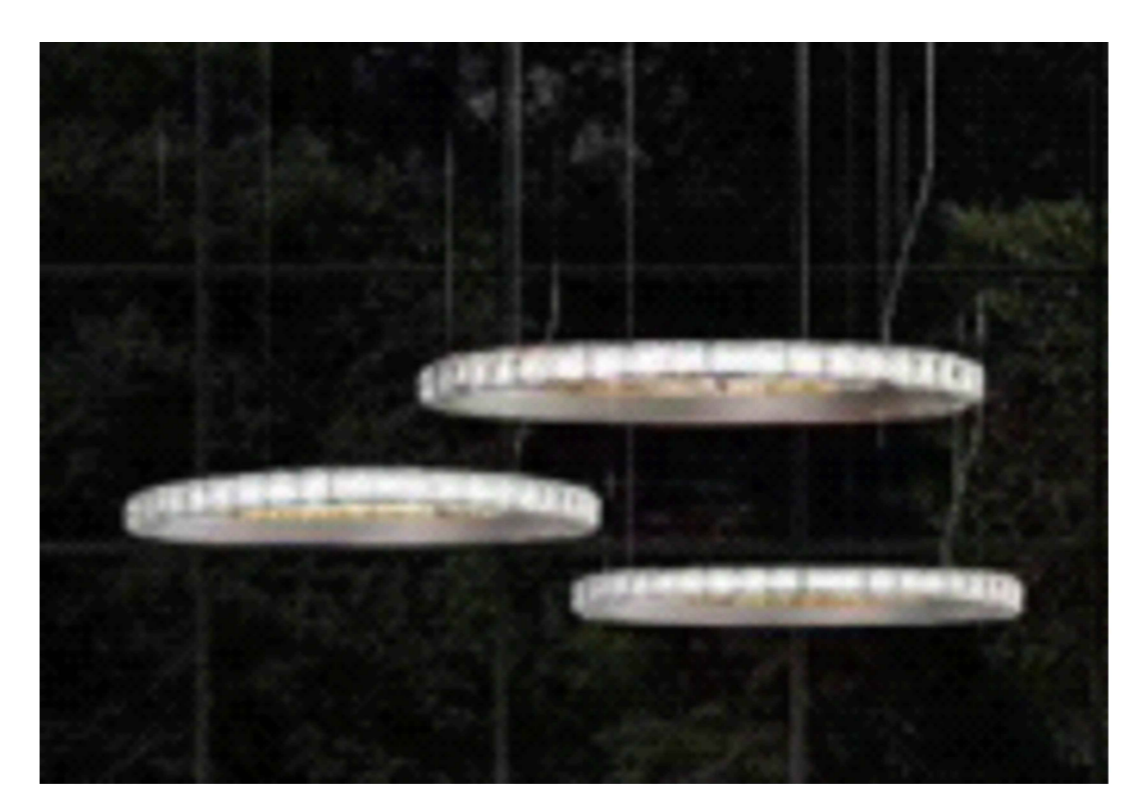
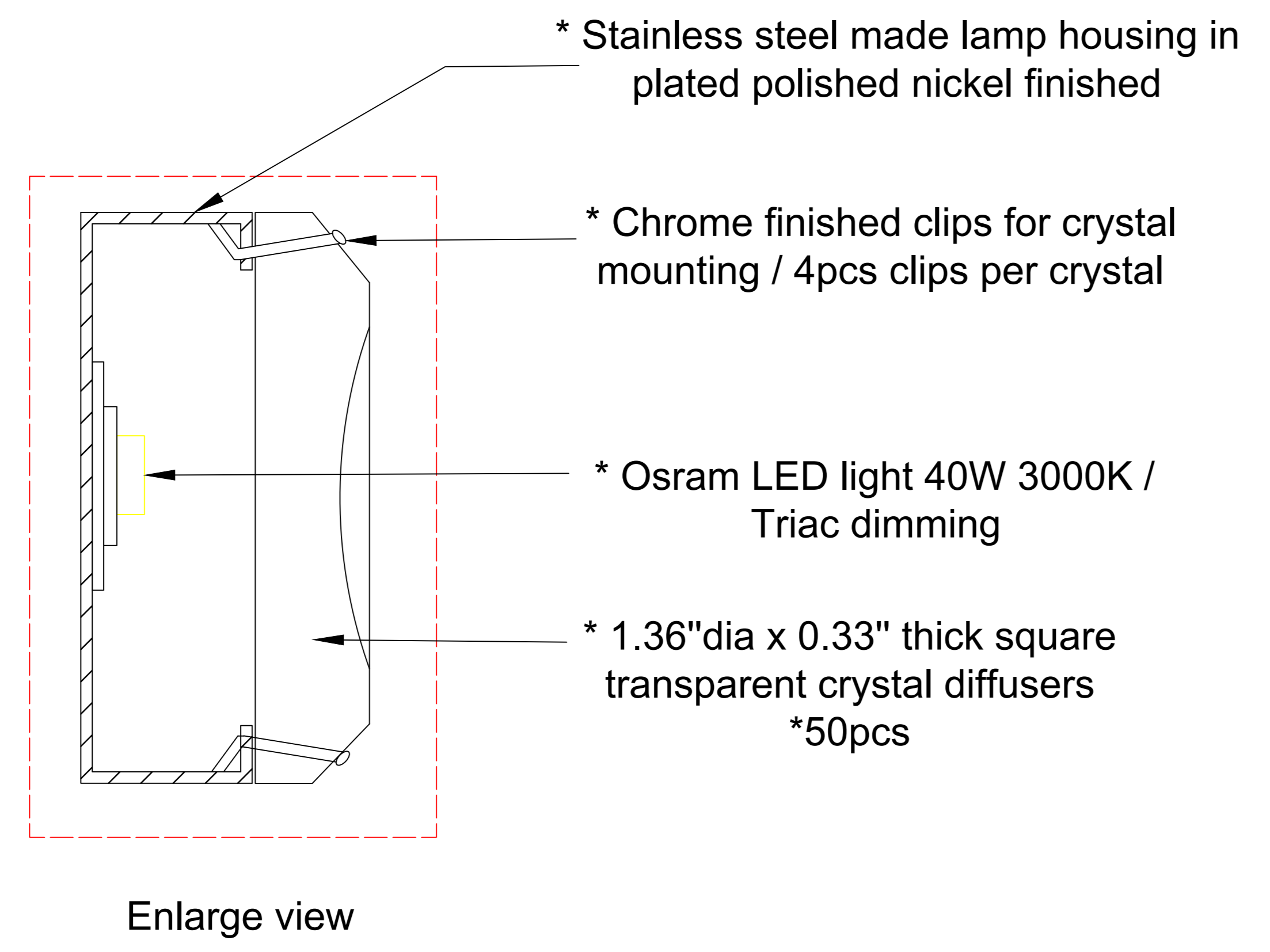
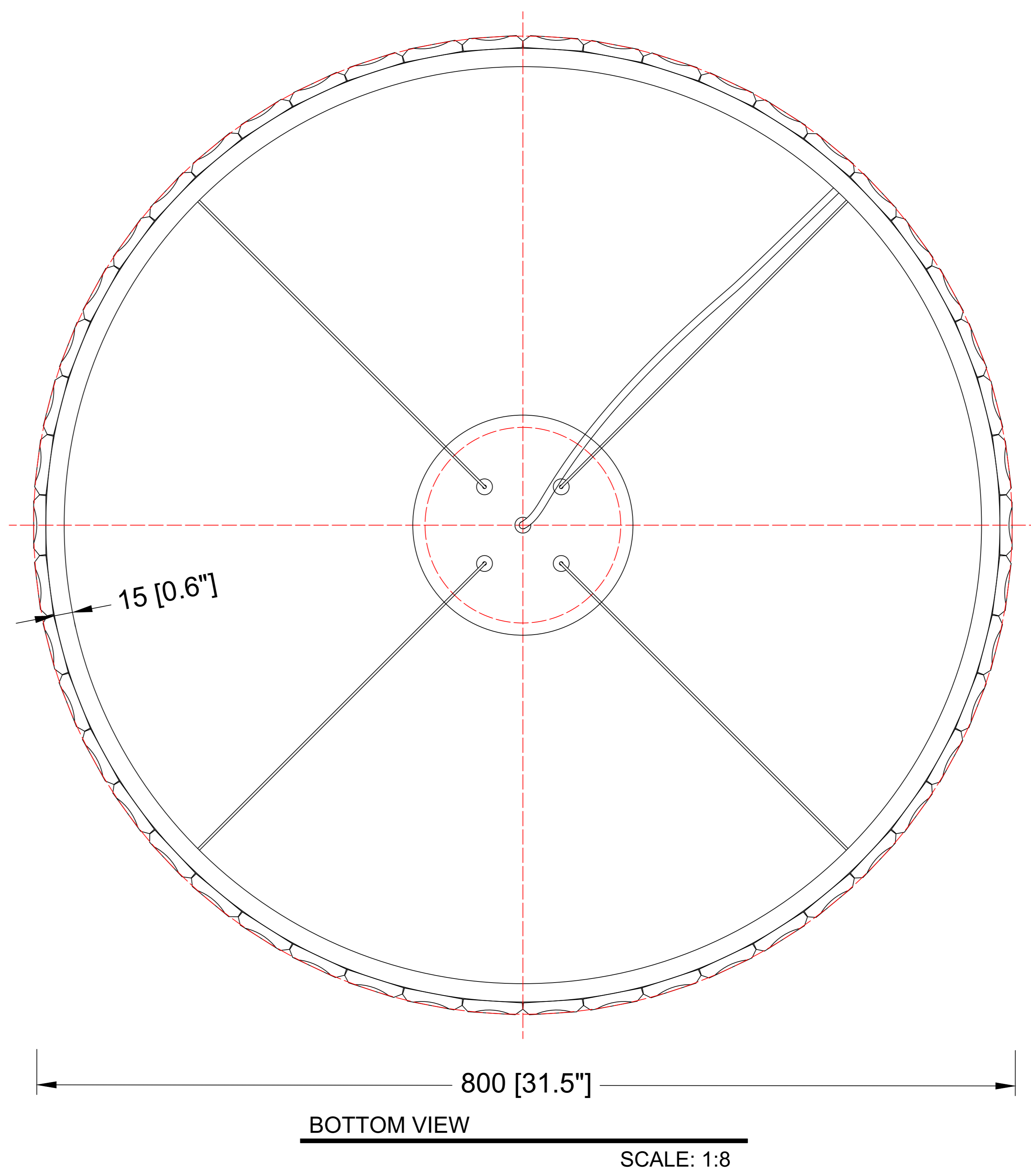
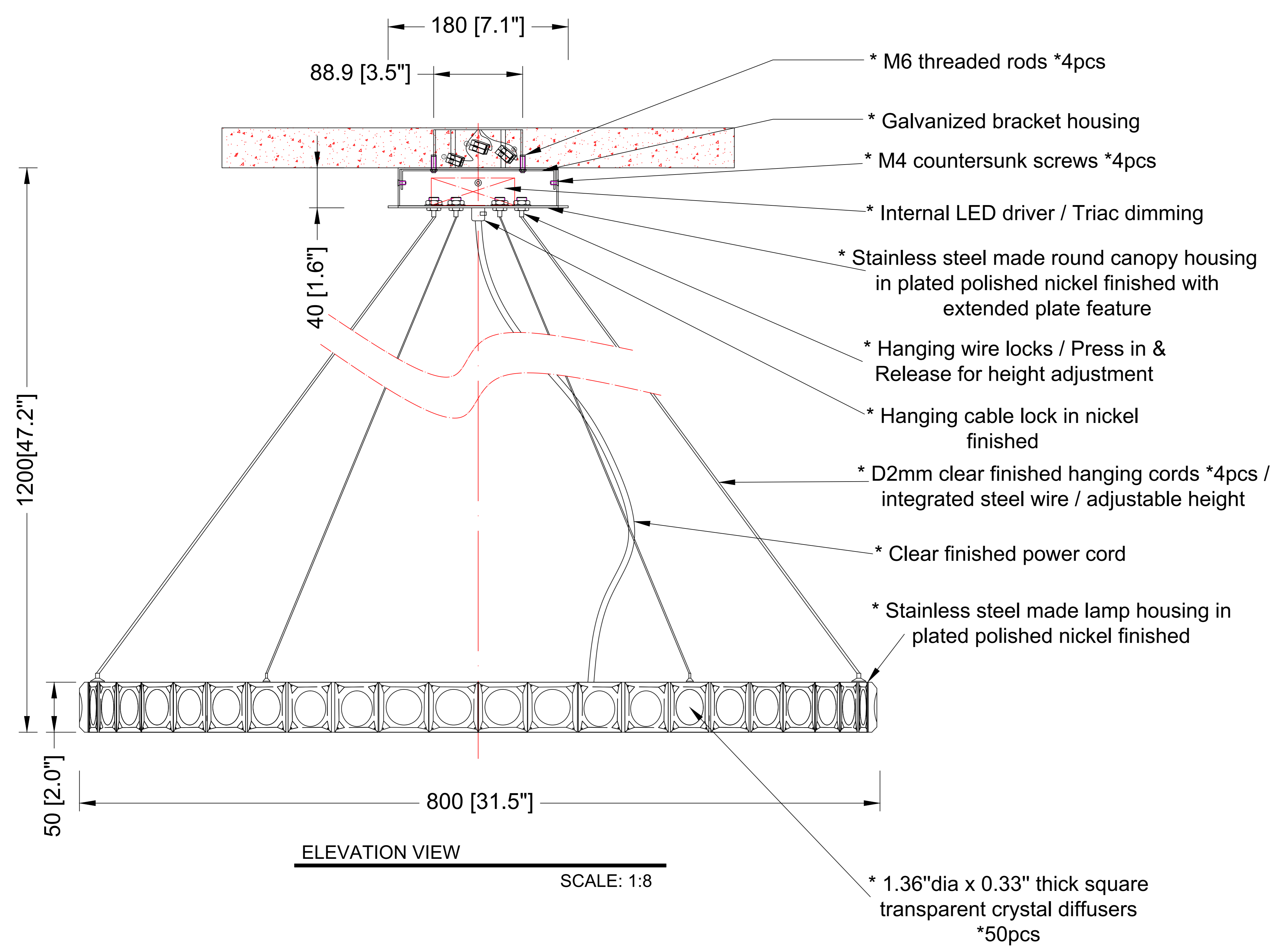
±5MM Size tolerance ± 1/2° Angle tolerance	
Date: 26-07-2023	
Revision:	
Type: Pendant lamp	
Item No: 9819-M-PN	
Dwg by:	
Verification by:	

Scale: 1: 9
Area/Location:
Dimension: 31.5"L x 31.5" x 120"OAH
Finish: Polished nickel + Clear glass finished
Materials: Stainless steel + Alu + Glass
Weight: 19 kgs
Light: Osram LED 40W light 3000K / None dimming

Qty: 3 pcs
<input type="checkbox"/> Approved
<input type="checkbox"/> Approved as noted
<input type="checkbox"/> Revise & resubmit
Date: _____
Signature: _____

Notes:

- \*1: Different design & size canopy from original.
- \*2: Different mounting structure from original.
- \*3: Different but similar fixture size from original.
- \*4: Different but similar crystal & its mounting structure from original.
- \*5: Triac dimming function.



Ref Pic  
SCALE: NTS



Reef Lighting, Inc. reserves the right to change or modify the product specifications without notification.