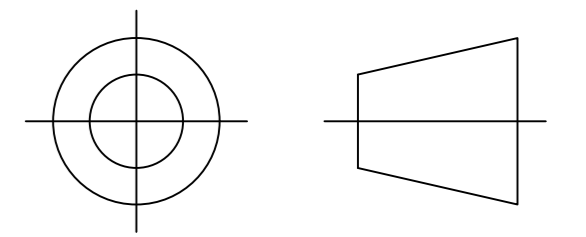


REEF LIGHTING  
WHERE LIGHT TOUCHES THE SEA

PROJECT:

PO 5230

±5MM  
Size tolerance  
± 1/2°  
Angle tolerance



Date: 26-07-2023

Revision:

Type: Pendant lamp

Item No: 9661-L-PN

Dwg by:

Verification by:

Scale: 1: 10

Area/Location:

Dimension:  
31.5"L x 31.5"W x 47.2"H

Finish: Polished nickel + White

Materials: Stainless steel + Alu + Acrylic

Weight: 13 kgs

Light: Osram LED light 20W 3000K \*2pcs  
/ Triac dimming

Qty: 3 pcs

Approved

Approved as noted

Revise & resubmit

Date: \_\_\_\_\_

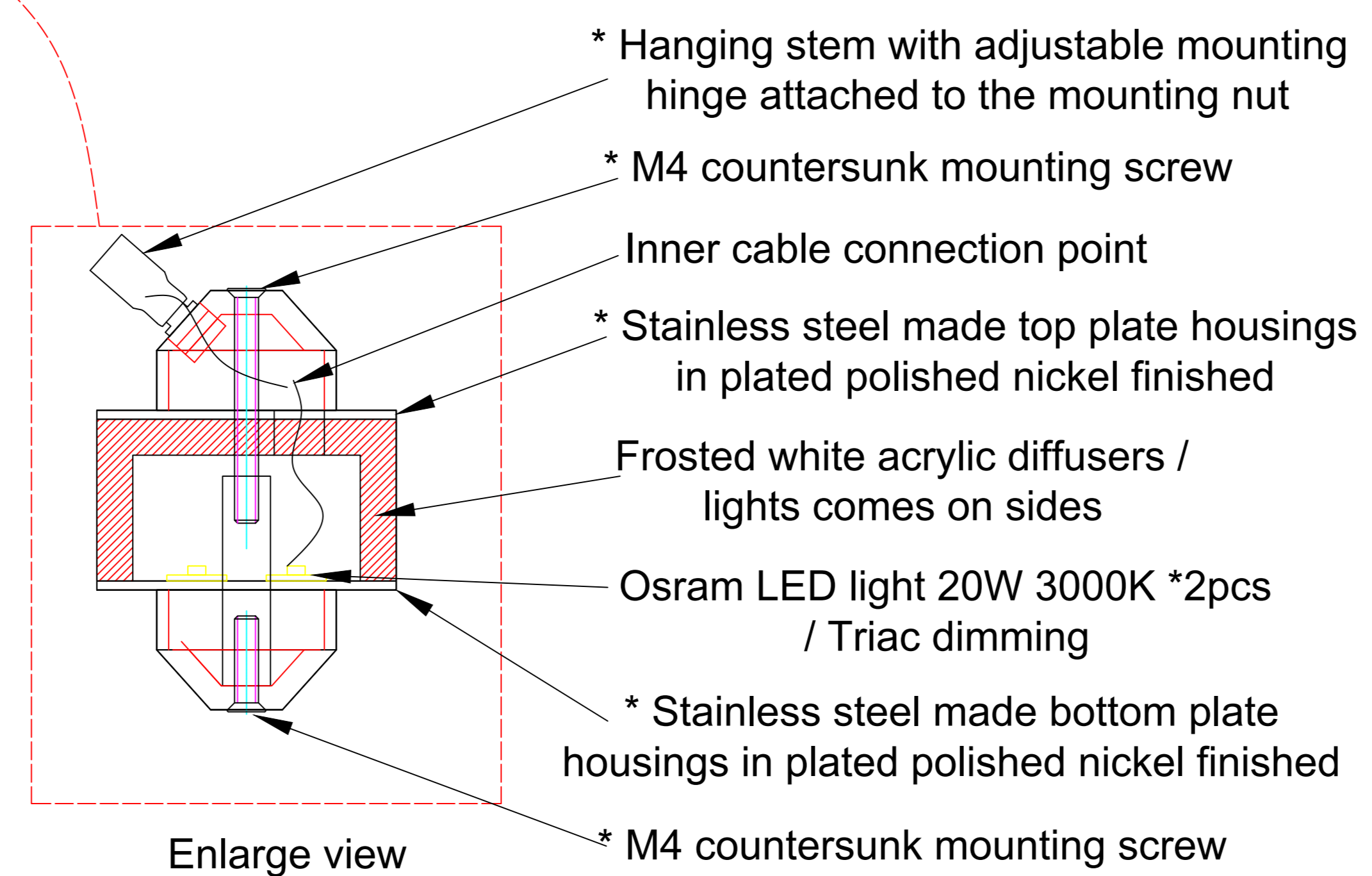
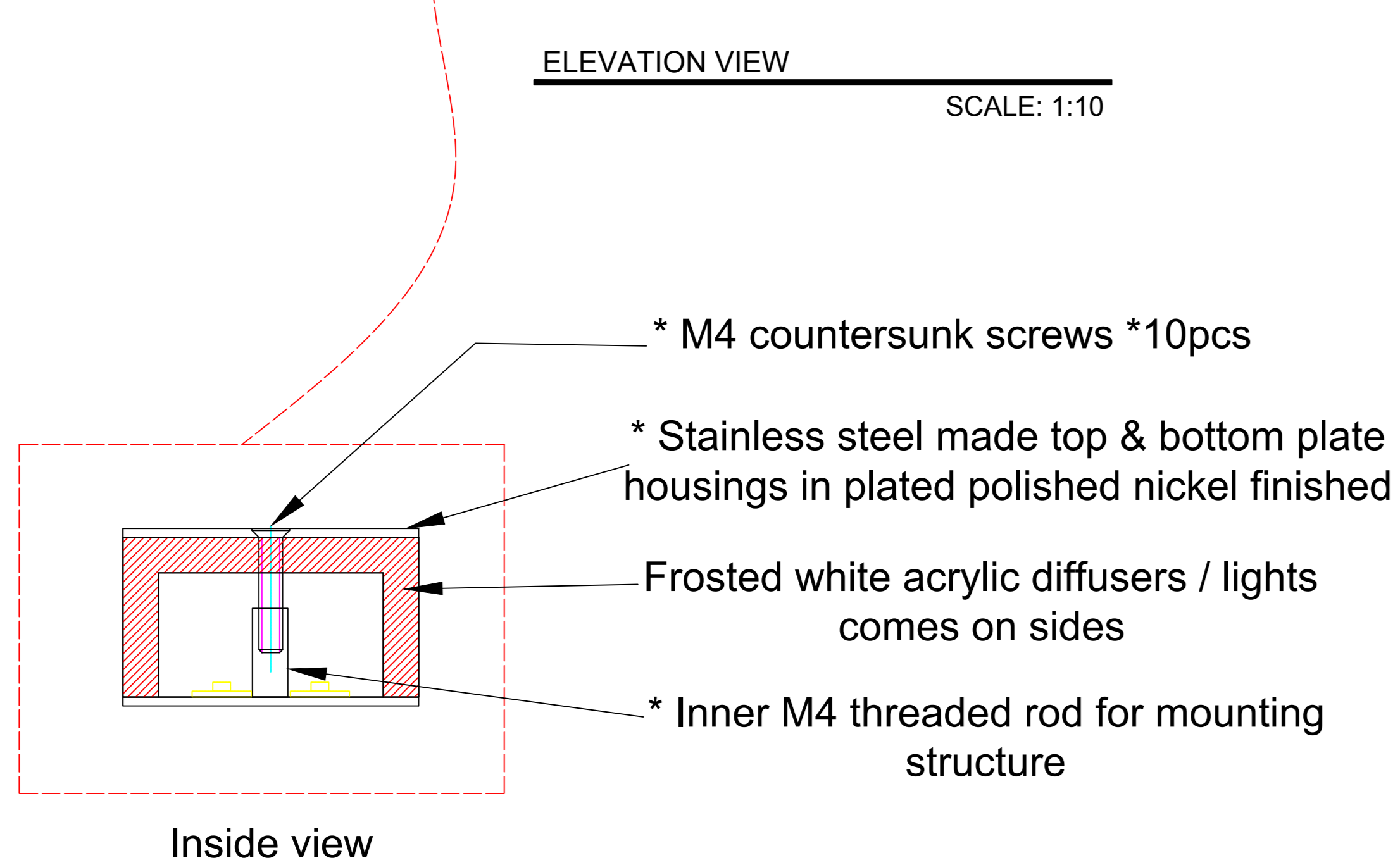
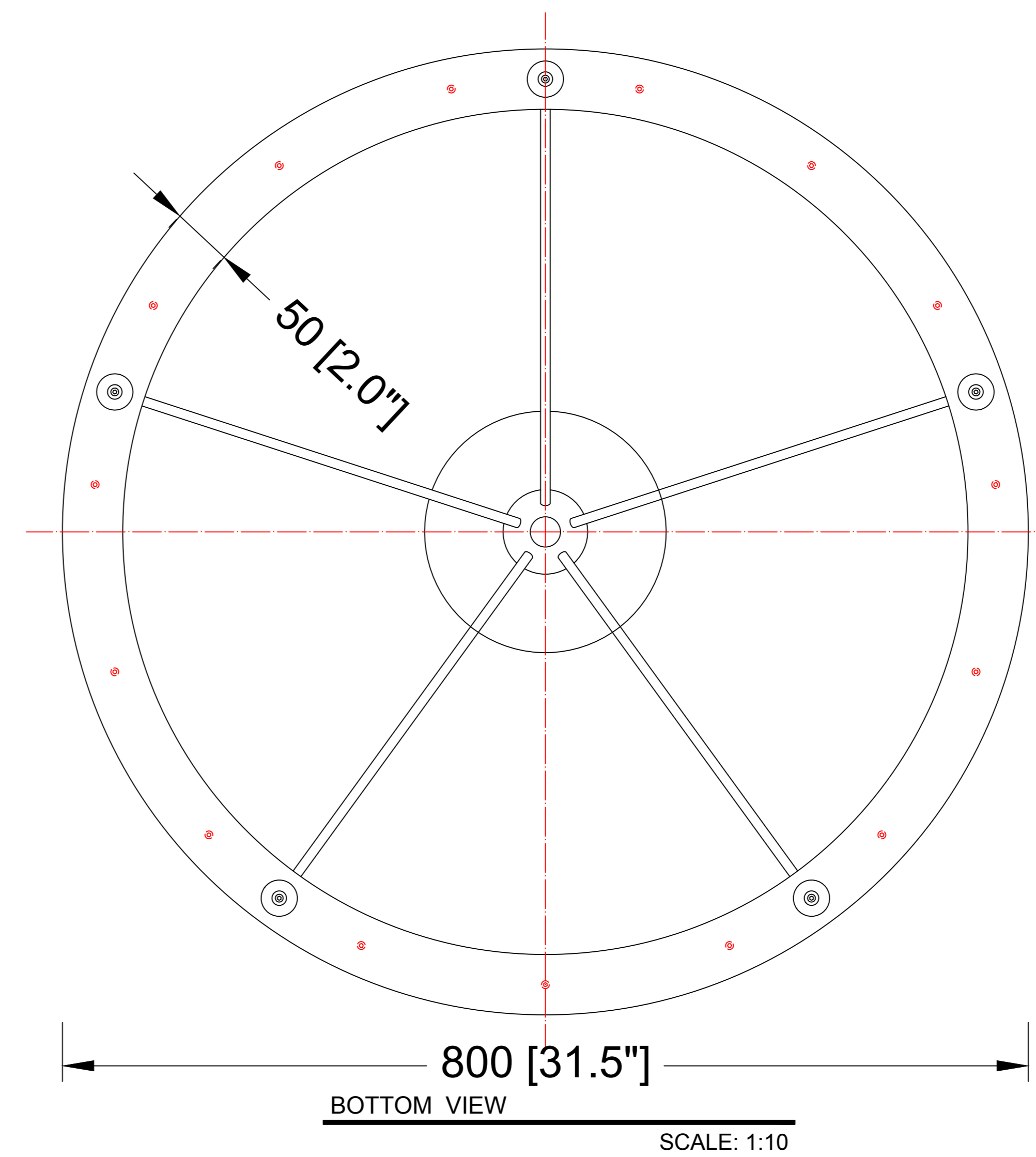
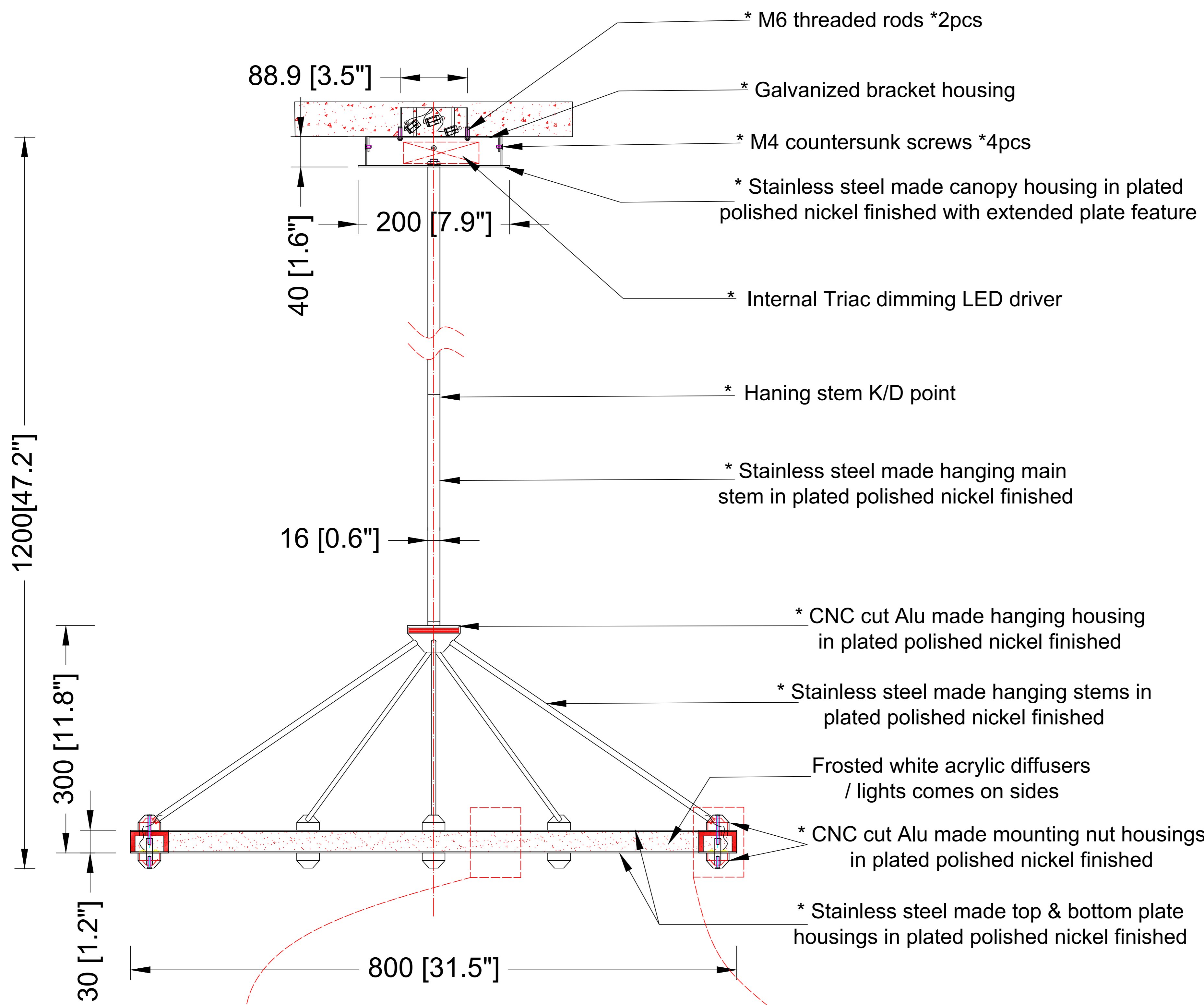
Signature: \_\_\_\_\_

Notes:

- \*1: Different design & size canopy from original.
- \*2: Different mounting structure from original.
- \*3: Different but similar hanging support housing from original.
- \*4: Different LED light & structure from original.
- \*5: Triac dimming function.



Reef Lighting, Inc. reserves the right to change or modify the product specifications without notification.



Ref Pic